

PL-855C18M

5MP 18X Human Track Network PTZ



- 1/3" 5MP CMOS sensor
- High quality 18X industrial camera module
- Support dual stream encoding
- Linkage with sound/strobe light and auto track by human detection
- Built in with speaker and microphone
- Support tour/pattern/A-B scan function
- IP66 rating
- DWDR/BLC/2D&3D noise reduction
- PoE

System Overview

PL-855C18M is featured by the mini compact design which is only 6 inches and easy for installation. Powered by the cutting edge human detection technology, it could guard your region safely and filter out the false alarm. Coming with default PoE function, it brings more convenience to the installer for cabling and saving the labor cost.

With pan speed up to 180°/s, and tilt speed up to 100°/s, it would promise a large HD video coverage and secured details. It's the ideal choice for SMB solutions, such as buildings, factories, schools which are designed for indoor and outdoor.

Functions

H.265

Delivering high quality video with up to 70% lower bandwidth. H.265 is the optimized evolution of traditional H.264.

H.265 technology includes a series of encoding strategy like Dynamic ROI, smart 2D&3D noise reduction etc to save up to 70% bandwidth and storage.

Harsh conditions

ZKTeco PTZ cameras could run normally in harsh environment, working temperature range from -20°C~60°C with 90% humidity.

Technical Parameters

Camera	
Model	PL-855C18M
Image Sensor	1/3" 5MP CMOS
Lens	18X, f=5.4 ~ 97.2 (mm)
FOV	55.4°(W) ~ 3.55°(T)
Scanning System	Progressive
Electronic Shutter	Auto/Manual(1/5s-1/100,000s)
Min. illumination	0.05Lux(color), 0.01Lux(BW), 0 Lux with IR on
IR range	7pcs Array LED+3pcs Laser IR+2pcs Warm Strobe Lights, 120m

Video

Compression	H.265 / H.264	WDR	DWDR
Resolution	Main Stream: 5MP@25f/s Sub Stream: 640*480@25f/s	Day / Night	Auto(ICR)/Color/B/W
Bit Rate Control	CBR/VBR	White Balance	Auto/Custom/Locked WB/ Incandescent Lamp/Warm Light/ Natural Light/Fluorescent Lamp
Bit Rate	Main Stream: 2Mbps ~ 8Mbps Sub Stream: 160Kbps ~ 896Kbps	Gain Control	Auto
Audio Compression	G.711a/G.711u(32Kbps)/PCM(128Kbps)	Noise Reduction	2D & 3D DNR
BLC	Supported	Privacy Mask	Up to 5 areas
Human Detetion	Linkage with Sound/Strobe light and Track by human detection alarm		
Audio I/O	Built-in with Speaker and Microphone		

Network

Protocol	TCP/IP, UDP, HTTP, DHCP, RTSP, NTP	Max. online User	3
Onvif	Onvif profile S	Web Browser	IE, Chrome, Firefox

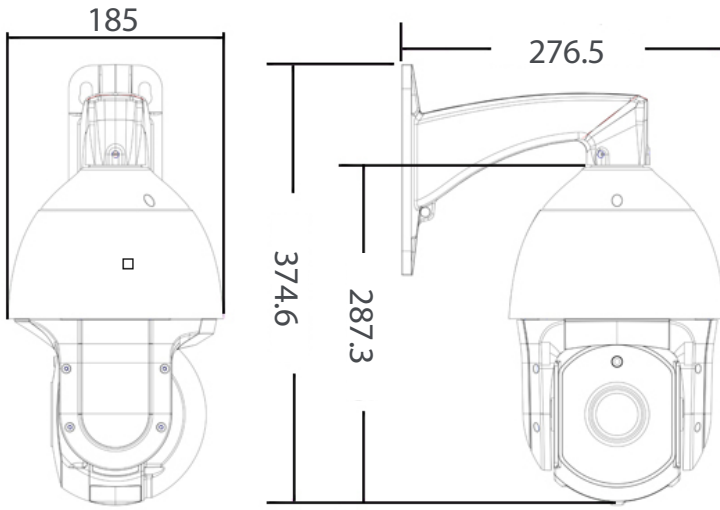
P/T

Pan/Tilt Range	Pan: 0°~360°, Tilt: -5°~90°	Ingress Protection	IP66
Pan Speed	0~180°/s	Working Environment	-20°C ~ 60°C, RH<90%
Tilt Speed	0~100°/s	Power Supply	PoE/DC 12V4A
Preset	255	Lightning Protection	EDS 4000V
Preset Speed	7-Level selection	Tour Group	8
Pattern Group	4	A-B Scan Group	8
Auto Mode	Support Idle motion, Power-on auto detection, Rotation speed changes with optical zoom proportionally		
Protocol	Pelco-D, Pelco-P	Dimensions	Φ185 * 375 (mm)
Net Weight	3.5kg	Gross Weight	4.5kg

Order Information

Type	Part Number	Description
5MP PTZ Camera	PL-855C18M	6 inches 5MP PTZ camera, 18X

Dimensions (mm)



ZKTeco USA

1600 Union Hill Rd., Alpharetta GA 30005

Phone: (862) 505 - 2101 • Fax: (862) 204 - 5906 • sales@zktecousa.com • www.zktecousa.com

© Copyright 2019. ZKTeco Inc. ZKTeco Logo and ZKTeco USA Logo have registered trademarks of ZKTeco or a related company.

All other product and company names mentioned are used for identification purposes only and may be trademarks of their respective owners.

All specifications are subject to change without notice. All rights reserved.