

PMAX-0529



Pole Mount with Junction Box (for Q450) , supports 3.3" to 7" Poles

► Specifications

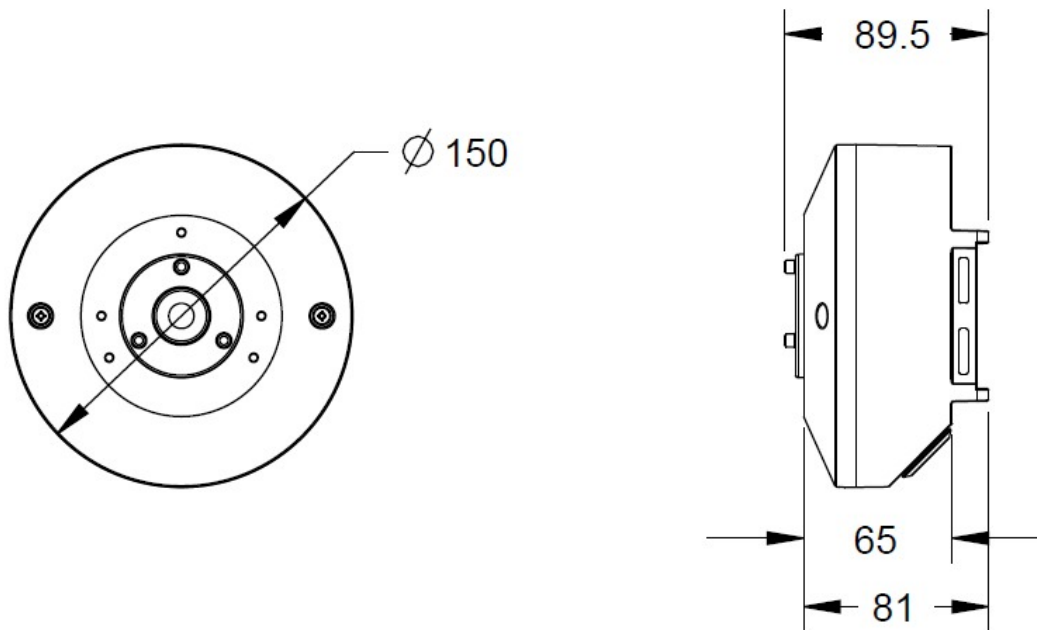
Device

| | |
|--------------|---|
| Product Type | Camera Mount |
| Description | Pole Mount with Junction Box (for Q450) , supports 3.3" to 7" Poles |

General

| | |
|------------|---|
| Weight | 726g (1.601lb) |
| Dimensions | (Ø x H): 150mm x 89.5mm (5.91" x 3.52") |
| Color | White |
| Warranty | 1 Year(s) |

▶ Dimension Diagram



Unit: mm [inch]

▶ Related Products

Multi-Imager - Multi-Imager 180 Degree Bullet

Q450



8MP Multi-Imager Panoramic Bullet with D/N, Adaptive IR, Superior WDR, SLLS, 2 Fixed lenses, f2.8mm (HOV:180°), H.265/H.264, Dewarping