

1 2 3 4 5 6 7

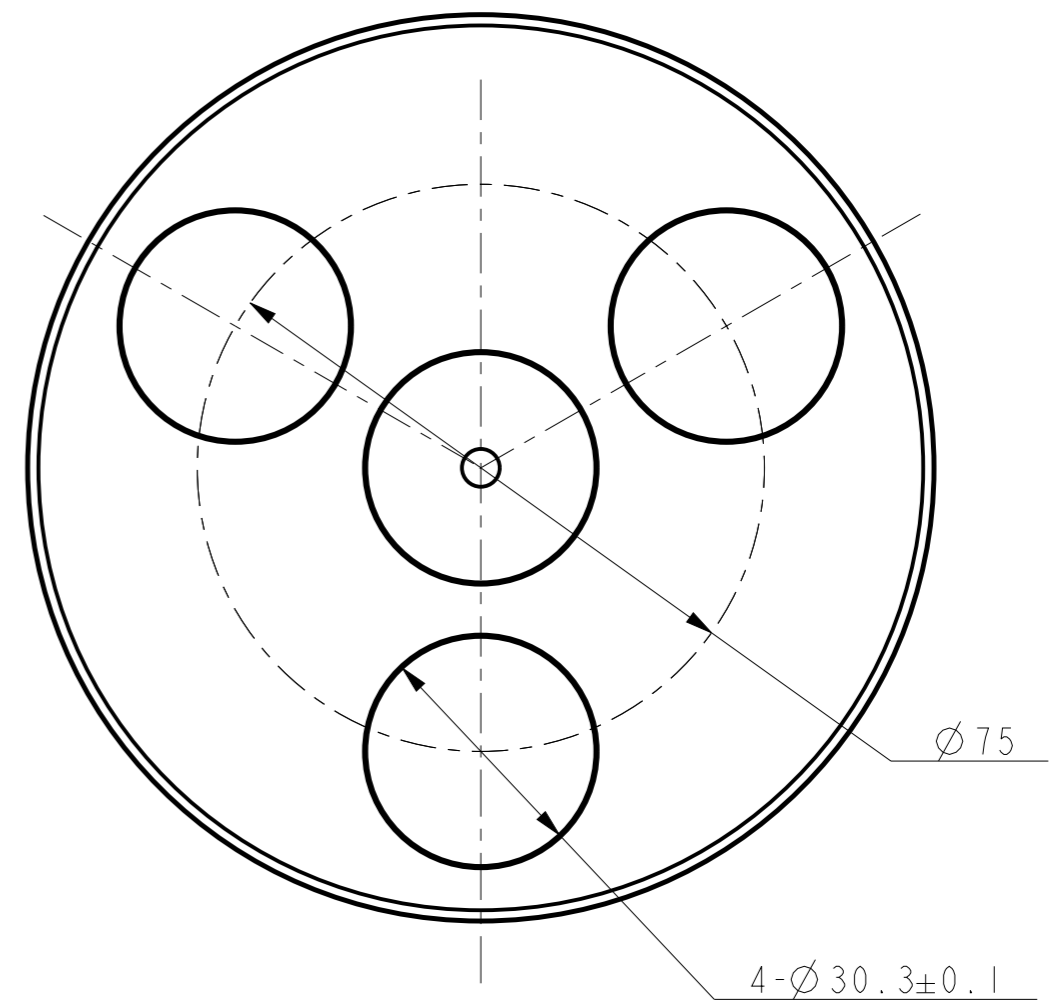
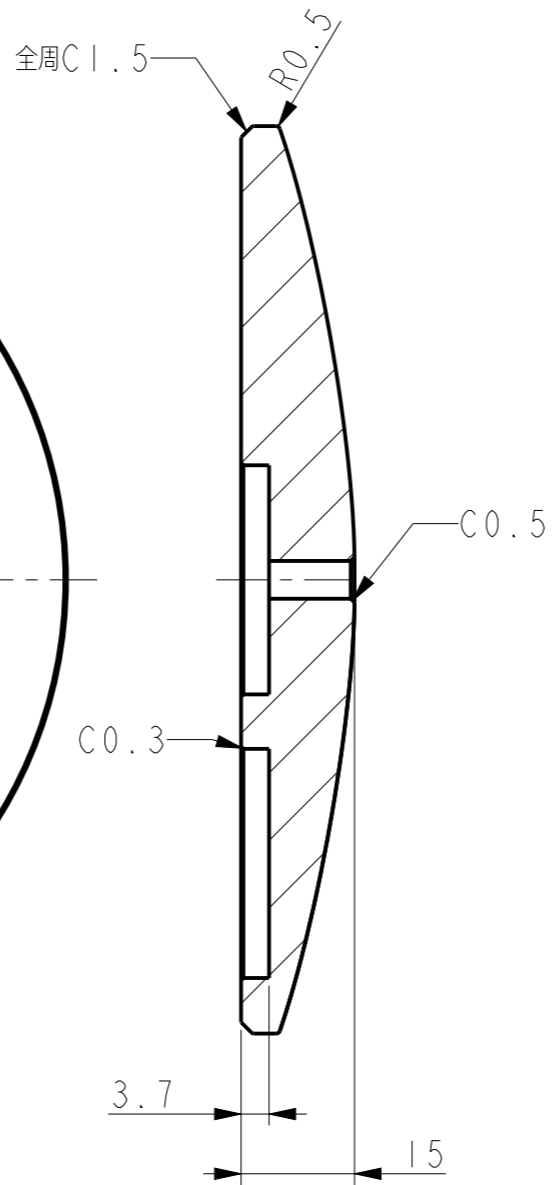
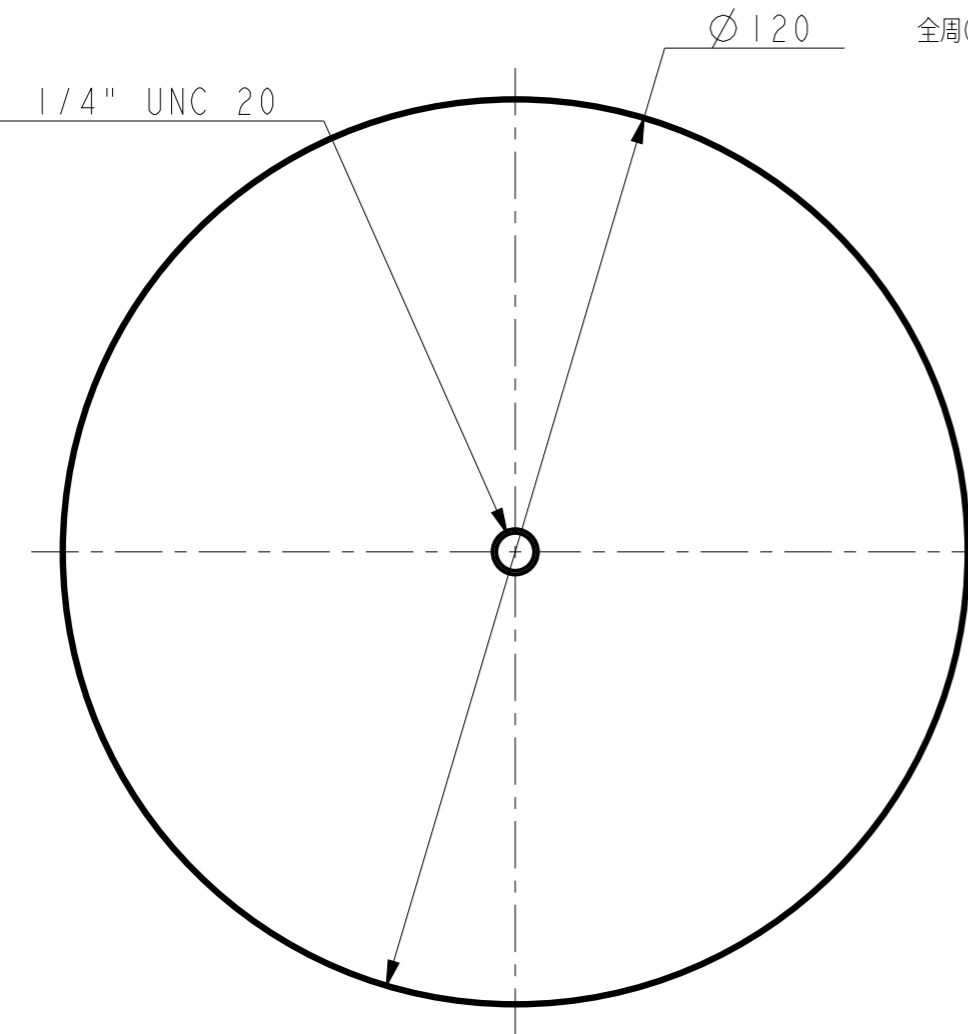
A

B

C

D

E



Note: 1. 材質: AL  
2. 表面處理: 黑色亮面噴漆 / 白色亮面噴漆

TOL±										PART NO:		ACTi Corporation			
RANGE	M1	M2	S1	S2	P1	P2	C	USR	MODEL:	DATE: 2016/03/15					
0-6	0.05	0.1	0.15	0.2	.05	0.1	0.5		NAME: Q22_BRACKET_STAND						
6-30	0.1	0.2	0.15	.25	0.1	0.15	1		MATERIAL:	FINISH:					
30-80	0.15	0.25	0.2	0.3	0.2	0.4	2		APPROVAL:	DWG NO:					
80-180	0.15	0.3	0.25	0.45	0.4	0.8	3		CHECK:	SCALE SHEET REV. UNIT					
180-315	0.2	0.5	0.4	0.6	0.4	1.2	3		DRAWN:	1.000 1/1					
315-800	0.3	0.8	0.7	1.1	0.6	1.5	4			MM					
ANG. TOL±	0°-30°	0.2°	30°-60°	0.2°	60°-90°	1°									

1 2 3 4 5 6 7

A

B

C

D

E