

PNO-9080R

4K Network IR Bullet Camera

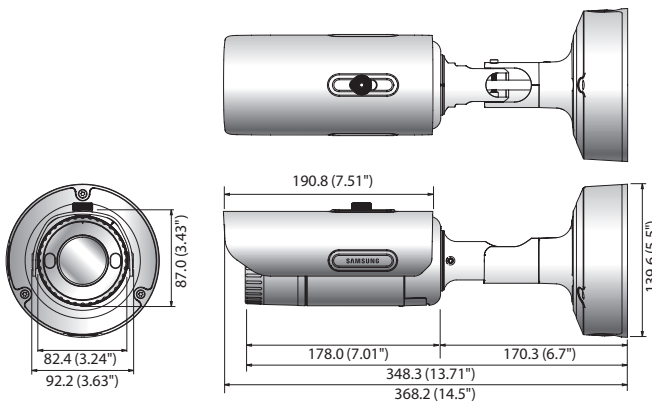


Key Features

- Max. 12 megapixel (4000 x 3000) resolution
- Max. 20fps@12M, Max.30fps@8M
- 0.3Lux@F1.6 (Color), 0Lux (B/W : IR LED on)
- 4.5 ~ 10mm (2.2x) motorized varifocal lens
- H.265, H.264, MJPEG support
- Day & Night (ICR), WDR (120dB), Simple focus, P-Iris
- Motion detection, Defocus detection, Tampering
- SD/SDHC/SDXC memory slot (Max, 128GB), NAS, Local PC support
- Hallway view (Rotate 90° / 270°)
- WiseStream support, Digital auto tracking
- IP66, IK10, Bi-directional audio support

Dimensions

Unit : mm (inch)



Accessories (Optional)



SBP-301PM



SBP-302PM

PNO-9080R

| | |
|--|---|
| VIDEO | |
| Imaging Device | 1/1.7" 12.4M CMOS |
| Total Pixels / Effective Pixels | 4,168(H) x 3,062(V) / 4,072(H) x 3,046(V) |
| Scanning System | Progressive |
| Min. Illumination | Color : 0.3Lux (1/30sec, F1.6, 30IRE), 0.01Lux (2sec, F1.6, 30IRE) B/W : 0Lux (IR LED on) |
| S / N Ratio | 50dB |
| Video Output | CVBS : 1.0Vpp / 75Ω composite, 714 x 480(N), 702 x 576(P), for installation DIP connector type |
| LENS | |
| Focal Length (Zoom Ratio) | 4.5 ~ 10mm (2.2x) motorized varifocal |
| Max. Aperture Ratio | F1.6 |
| Angular Field of View | [4096 x 2160] H : 100.3°(Wide) ~ 45.6°(Tele) / V : 49.7°(Wide) ~ 24.0°(Tele) [3840 x 2160] H : 92.3°(Wide) ~ 42.6°(Tele) / V : 49.7°(Wide) ~ 24.0°(Tele) |
| Min. Object Distance | 0.5m (1.64ft) |
| Focus Control | Simple focus (Motorized V/F) / Manual, Remote control via network (Manual, Simple focus) |
| Lens Type / Mount Type | P-Iris mode / Board-in type |
| OPERATIONAL | |
| IR Viewable Length | 40m (131.23ft) |
| Camera Title | Off / On (Displayed up to 60 characters) - W/W : English / Numeric / Special characters - China : English / Numeric / Special / Chinese characters - Common : Multi-line (Max. 5), Color (Grey / Green / Red / Blue / Black / White), Transparency, Auto scale by resolution |
| Day & Night | Auto (ICR) / Color / B/W / External / Schedule |
| Backlight Compensation | Off / BLC / WDR |
| Wide Dynamic Range | 120dB |
| Contrast Enhancement | SSDR (Off / On) |
| Digital Noise Reduction | SSNR (2D+3D noise filter) (Off / On) |
| Defog | Off / Auto / Manual |
| Motion Detection | Off / On (8ea, Polygonal) |
| Privacy Masking | Off / On (16ea, Polygonal) - Color : Gray / Green / Red / Blue / Black / White |
| Gain Control | Off / Low / Middle / High |
| White Balance | ATW / AWC / Manual / Indoor / Outdoor (Include mercury & sodium) |
| Electronic Shutter Speed | Minimum / Maximum / Anti flicker (2 ~ 1/12,000sec) |
| Flip / Mirror | Off / On, Hallway : 90° / 270° |
| Intelligent Video Analytics | Tampering (Scene change), Virtual line, Enter / Exit, (Dis)Appear, Audio detection, Defocus detection, Digital auto tracking - with metadata |
| Alarm I/O | Input 1ea / Output 1ea |
| Alarm Triggers | Alarm input, Motion detection, Video analytics, Audio detection, Network disconnect |
| Alarm Events | File upload via FTP and E-mail, Notification via E-mail Local storage (SD/SDHC/SDXC) or NAS recording at event triggers, External output |
| Pixel Counter | Support (Plug-in viewer only) |
| NETWORK | |
| Ethernet | RJ-45 (10/100/1000BASE-T) |
| Video Compression Format | H.265 / H.264 (MPEG-4 part 10/AVC) : Main / Baseline / High, MJPEG |
| Resolution | [8M mode] 4096 x 2160, 3840 x 2160, 2592 x 1944, 2592 x 1464, 1920 x 1080, 1600 x 1200, 1280 x 1024, 1280 x 960, 1280 x 720, 1024 x 768, 800 x 600, 800 x 448, 720 x 576, 720 x 480, 640 x 480, 640 x 360, 320 x 240 [12M mode] 4000 x 3000, 3840 x 2160, 2592 x 1944, 2592 x 1464, 1920 x 1080, 1600 x 1200, 1280 x 1024, 1280 x 960, 1280 x 720, 1024 x 768, 800 x 600, 800 x 448, 720 x 576, 720 x 480, 640 x 480, 640 x 360, 320 x 240 |
| Max. Framerate | H.265 / H.264 : 20fps@4000 x 3000, 30fps@4096 x 2160 MJPEG : 2fps@4000 x 3000 ~ 2592 x 1464, 15fps@1920 x 1080 ~ 320 x 240 |
| Smart Codec / WiseStream | Manual mode (Area-based : 5ea) / Support |
| Video Quality Adjustment | H.265 / H.264 : Target bitrate level control, MJPEG : Quality level control |
| Bitrate Control Method | H.265 / H.264 : CBR or VBR, MJPEG : VBR |
| Streaming Capability | Multiple streaming (Up to 3 profiles) |
| Audio In | Selectable (Mic in / Line in), Supply voltage : 2.5V DC (4mA), Input impedance : approx. 2K Ohm |
| Audio Out | Line out (3.5mm mono jack), Max output level : 1Vrms |
| Audio Compression Format | G.711 u-law/G.726 selectable, G.726 (ADPCM) 8KHz, G.711 8KHz G.726 : 16Kbps, 24Kbps, 32Kbps, 40Kbps, AAC-LC : 48Kbps at 16KHz |
| Audio Communication | Bi-directional audio (2-way) |
| IP | IPv4, IPv6 |
| Protocol | TCP/IP, UDP/IP, RTP(UDP), RTP(TCP), RTCP, RTSP, NTP, HTTP, HTTPS, SSL/TLS, DHCP, PPPoE, FTP, SMTP, ICMP, IGMP, SNMPv1/v2c/v3(MIB-2), ARP, DNS, DDNS, QoS, PIM-SM, UPnP, Bonjour |
| Security | HTTPS(SSL) login authentication, Digest login authentication IP address filtering, User access log, 802.1x authentication (EAP-TLS, EAP-LEAP) |
| Streaming Method | Unicast / Multicast |
| Max. User Access | 15 users at unicast mode |
| Edge Storage | SD/SDHC/SDXC (128GB) - Motion images recorded in the SD/SDHC/SDXC memory card can be downloaded, Camera can detect automatically when the memory is connected, Memory status display (Normal / Error / Active / Formatting / Lock), NAS (Network Attached Storage), Local PC for instant recording (Plug-in viewer only) |
| Application Programming Interface | ONVIF profile S/G, SUNAPI (HTTP API), SVNP, Wisenet Open Platform |
| Webpage Language | English, French, German, Spanish, Italian, Chinese, Russian, Japanese, Swedish, Portuguese, Turkish, Polish, Czech, Dutch, Hungary, Greek Supported OS : Windows 7, 8, 10, Mac OS X 10.9, 10.10, 10.11 Plug-in free Webviewer |
| Web Viewer | - Supported Browser : Google Chrome 47, MS Edge 20 Plug-in Webviewer - Supported Browser : MS Explore 11, Mozilla Firefox 43, Apple Safari 9 * Mac OS X only |
| Central Management Software | SmartViewer |
| ENVIRONMENTAL | |
| Operating Temperature / Humidity | -40°C ~ +55°C (-40°F ~ +131°F) / Less than 90% RH * Start up should be done at above -35°C (-31°F) |
| Storage Temperature / Humidity | -40°C ~ +60°C (-40°F ~ +140°F) / Less than 90% RH |
| Ingress Protection / Vandal Resistance | IP66 / IK10 |
| ELECTRICAL | |
| Input Voltage / Current | 24V AC, 12V DC, PoE (IEEE802.3af, Class3) |
| Power Consumption | 12V DC : Max. 11.55W, PoE : Max. 12.95W, 24V AC (50/60Hz) : 14.08W - Heater on 12V DC : Max. 10.45W, PoE : Max. 11.77W, 24V AC (50/60Hz) : 12.43W - Heater off |
| MECHANICAL | |
| Color / Material | Dark gray / Aluminium |
| Dimensions (WxHxD) | 82.4 x 87.0 x 348.3mm (3.24" x 3.43" x 13.71") (Without sunshield) |
| Weight | 1.4Kg (3.09 lb) |

* The latest product information / sepecification can be found at hanwha-security.com