

Q450

8MP Multi-Imager 180 Degree Bullet with D/N, Adaptive IR, Superior WDR, SLLS, 2 Fixed lenses



- 8 Megapixel
- Day & Night with Superior Low Light Sensitivity and Adaptive IR LED
- Fixed Lens with f2.8mm/F1.6
- Superior WDR
- H.265 Compression
- Super wide angle
- Event trigger, response and notification

► Specifications

Device

Product Type	Multi-Imager 180 Degree Bullet
Maximum Resolution	8MP
Application Environment	Outdoor
Image Sensor	Progressive Scan CMOS
Sensor Size	1/1.8 "
Effective Pixels	2704(H) X 1568(V) (4 MP)
Day / Night	Yes
Low Light Sensitivity	Superior
Minimum Illumination	Color: 0.003 lux; B/W: 0 lux (IR LED on)
Mechanical IR Cut Filter	Yes
IR LED	Adaptive IR LED
IR Working Distance	15m
Electronic Shutter	1-1/10000 second (auto mode)
S/N Ratio	75 dB

Lens

Number of Lenses	2 Lenses
Focal Length	Fixed focal, f2.8mm
Aperture	F1.6
Focus	Fixed focus
Horizontal Viewing Angle	182°
Vertical Viewing Angle	57.4°

Video

Compression	H.265, H.264, MJPEG
Maximum Frame Rate vs. Resolution	30 fps at 5120 x 1440
Multi-Streaming	Simultaneous quad streams
Wide Dynamic Range	Superior WDR (120 dB)
Digital Noise Reduction	2D + 3D DNR
Video Stitching	Seamless Video Stitching Minimum Stitching Distance: 450 cm
Built-in Analytics	Tampering Detection

Network

Network Protocol & Service	IPv4/v6, ARP, ICMP, IGMP, PPPoE, QoS, TCP, UDP, DHCP, UPnP, SNMP, SMTP, RTP, RTSP, HTTP, HTTPS, FTP, NTP, DDNS, IEEE 802.1X
Ethernet Port	1 x Ethernet (1000 Base-T), RJ-45 connector
Security	Password protected user level, IP address filtering, HTTPS encryption, IEEE 802.1X network access control

Event

Event Trigger	Video motion detection, Tampering detection, External device through digital input,
Event Response	Send E-mail Notification, Save video to local storage, Upload snapshot to FTP server, Activate external device through digital output

System

Watchdog	Support
----------	---------

Integration

ONVIF Compliant	Yes, Profile S, Profile G, Profile T
Web Browser	Google Chrome, Firefox

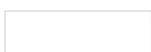
Interface

Local Storage	MicroSD, MicroSDHC, MicroSDXC Memory Card Slot (card not included, up to 256GB, Kingston or Sandisk only)
Digital Input/Output	2/1 (Terminal block)
Operating Button	Reset Button

General

Power Source	AC 24V, PoE (IEEE802.3af)
--------------	---------------------------

Power Consumption	12.95 W (PoE, IR on), 15.86 W (AC, IR on)
Dimensions	(Ø x L): 140mm x 105.5mm (5.51" x 4.15")
Environmental Casing	Weatherproof (IP66), Vandal proof metal casing (IK10)
Corrosion Protection	Optional for project request. Chassis corrosion resistance at the seashore approximately 2-3 years.
Operating Temperature	-40°C ~ 55°C (-40°F ~ 131°F)
Operating Humidity	10% - 90% RH
Approvals	CE Class A, FCC Class A, IP66, IK10 (metal casing)
Material	Metal Plastic

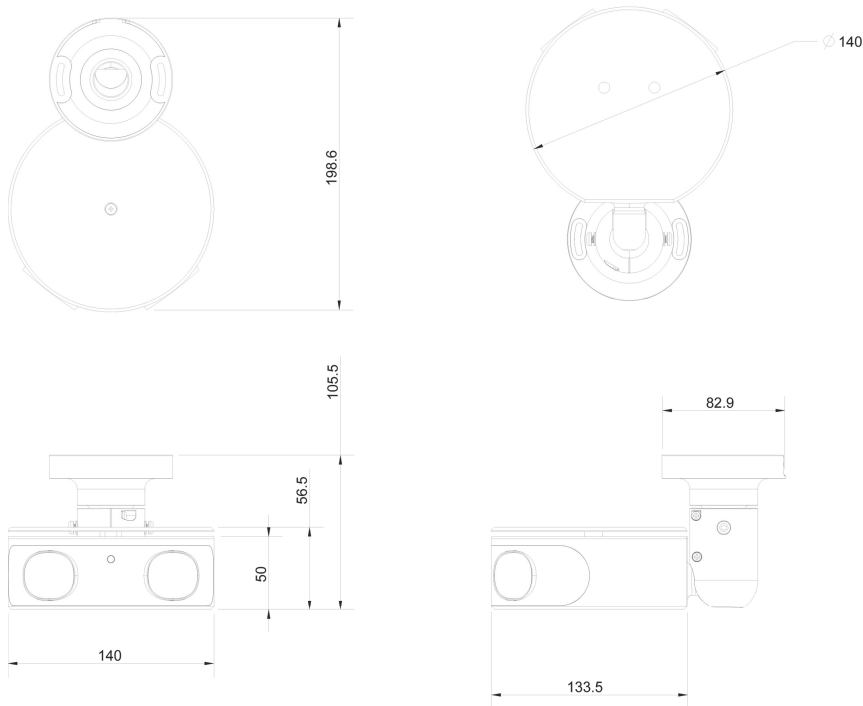


► Photo Indication



- 1 Ethernet Port
- 2 Power Connector
- 3 Digital Input / Output

► Dimension Diagram



Unit: mm [inch]

▶ Related Products

Mounting Accessories - Camera Mount

PMAX-0534



Pole Mount with Junction Box (for Q450) supports 3.25" to 7.0" Poles

PMAX-0728



Junction Box (for Q450, A426)

Note: Some mounting accessories may need additional accessories for installation. Please check www.acti.com/mountingselector for more information.

Power Supply Accessories - Power Adapter

PPBX-0015



Power Adapter AC 100~240V (12V/2A Output), with universal connectors for R21CF-xx

Power Supply Accessories - PoE Injector

PPOE-0101



High PoE Injector IEEE 802.3at compliant, AC 100~240V, with universal connectors (for A416, A418, B913, B923, B934, Q450, Q75, VMGB-400, VMGB-603, VMGB-604, Z36, Z37, Z71, Z710, Z952)

PPOE-0106



High PoE Injector IEEE 802.3at compliant, AC 100~240V, with universal connectors (for A416, A418, B913, B923, B934, Q450, Q75, VMGB-60X, Z37, Z71, Z952)

Audio Devices - Microphone

PMIC-0100



Active Microphone Omnidirectional for all Cameras with Line-in Audio