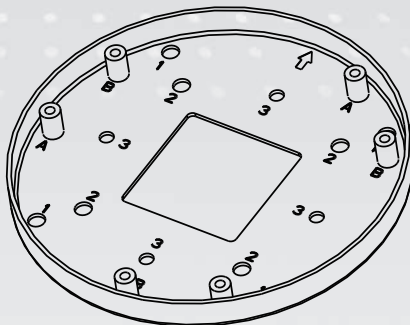


# VIVOTEK Fixed Dome & Fisheye Series Mounting Cap

## Installation Guide

Using AM-514 mounting cap  
and compatible accessories



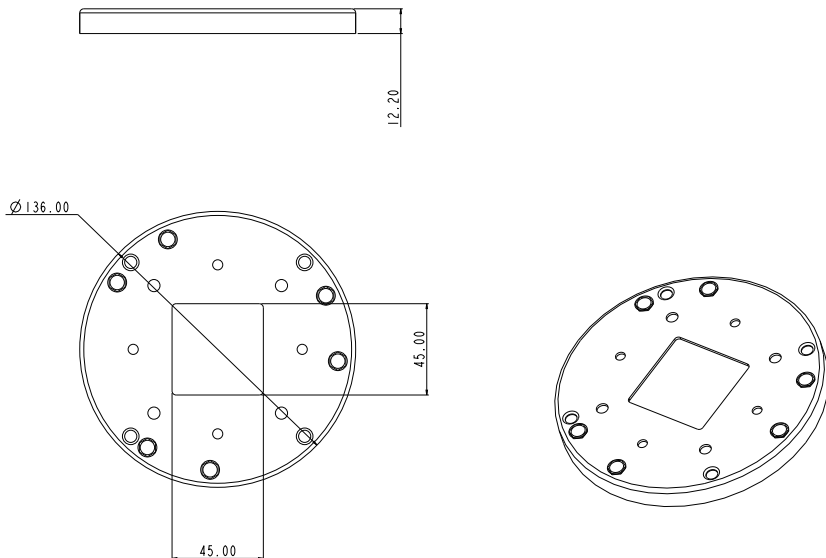
Rev. 1.0

Ordering part no.:  
100138800G ASS'Y KIT,AM-514\_V01  
Part no.: 625031700G

## Revision History:

\* Rev. 1.0: Initial Release

## AM-514 Mounting Cap Mechanical Drawings



## Compatible VIVOTEK Cameras

Fixed Dome series	FD8167 / FD8138-H / FD9171 / FD816B / FD8182
Fisheye	FE8174

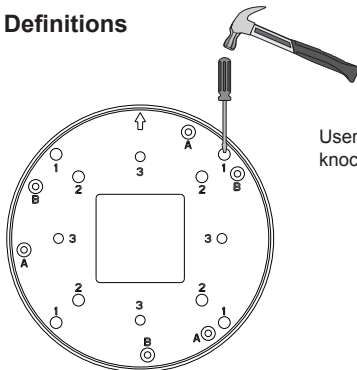
You may also refer to VIVOTEK's website for the list of supported models. Support for other models can be available through time.

**Package Contents:** AM-514, Installation Guide, 4x panhead M4x7, 2x copper spacer,

## II

## Installation

## Mounting Hole Definitions



Use a hammer and screwdriver to open the knock out holes you prefer to use.

Above are the locations of different groups of mounting holes for matching different junction boxes:

Hole Type	Applicable Box	Drawings	Screw	No. of screws
1	4" square box		#8-32, L15 (User-supplied)	2
2	4" octagon box		#8-32, L15 (User-supplied)	2
3	1" single gang box		#6-32, L15 (User-supplied)	2

Hole Type	Applicable Cameras	Screw	No. of screws
<b>A</b>	FD9171, FD816B, FD8182	#8-32, L15 (User-supplied)	2
<b>B</b>	FD8167, FD8138-H	#8-32, L15 (User-supplied)	2
<b>1</b>	FE8174	#6-32, L15 (User-supplied) + copper spacers	2

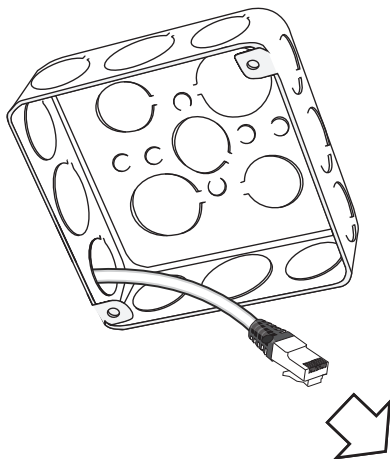


#### **NOTE:**

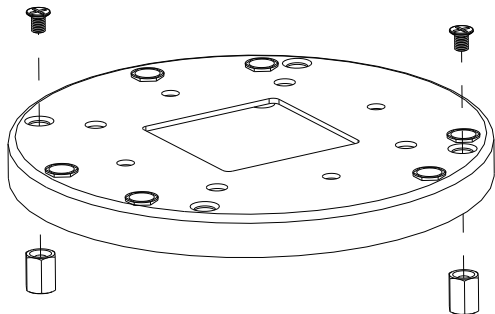
1. Route cables before you secure the accessories to a wall.
2. For details on the cable connections with network cameras, please refer to their Quick Installation Guide.

## **Installing the Mounting Cap**

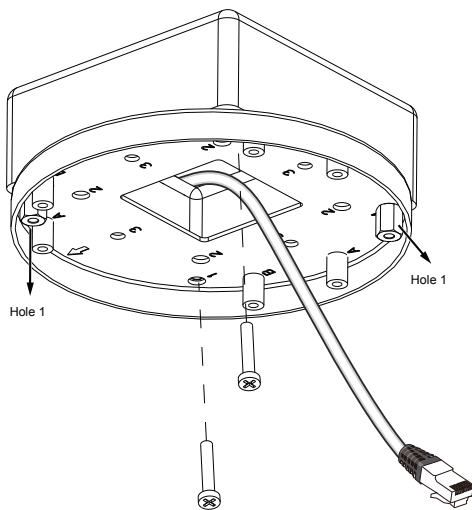
1. Route cables through the junction box.



2. If installing **FE8174** fisheye camera, install two copper spacers to holes 1's.

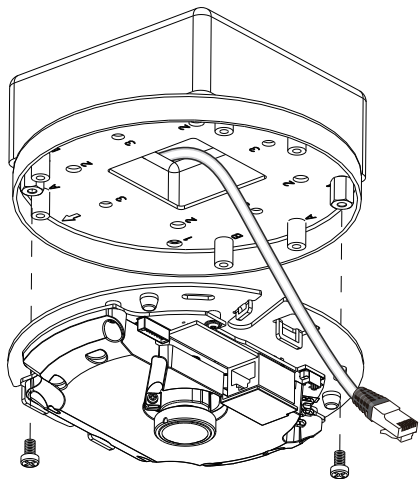


3. Install the mount cap to the junction box. Use screw holes specified on page 3 depending on the type of junction box.

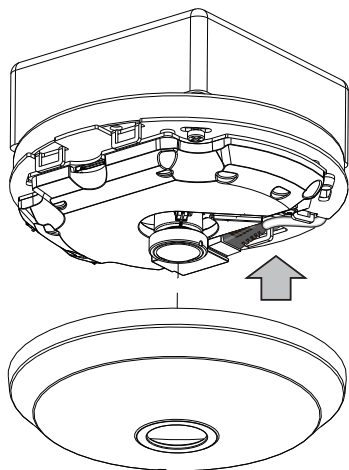


#### 4-1. FE8174.

4-1-1. Install the camera to the mount cap by fastening two screws to the threaded holes on the copper spacers.

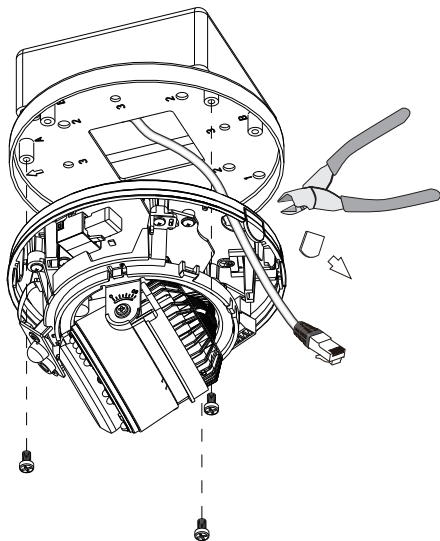


4-1-2. Connect the cables and install the top cover.

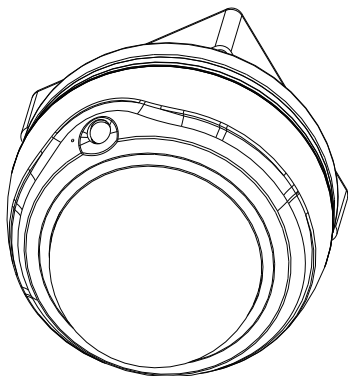


#### 4-2. FD9171/FD816B/FD8182.

4-2-1. Install the camera to the mount cap by fastening three screws. You will need to remove the plastic tab on the routing hole in order to pass the cables.

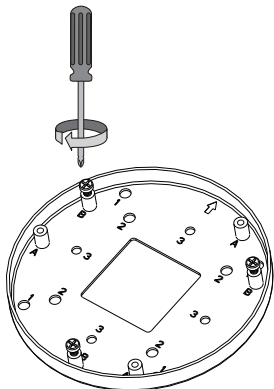


4-2-2. Connect the cables and install the top cover.

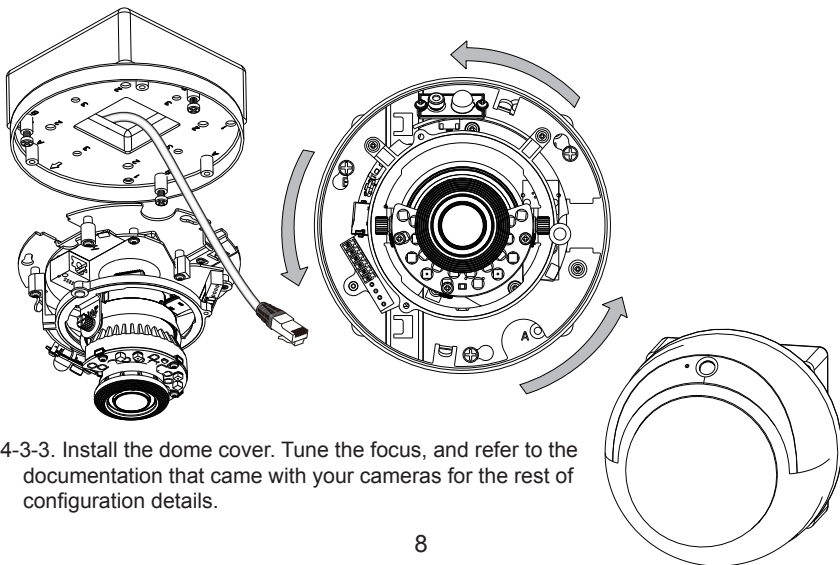


### 4-3. FD8167/FD8138H.

4-3-1. Fasten screws to the mounting cap. Do not completely tighten the screws. Leave part of the screws out.



4-3-2. Install the camera to the mounting cap by turning it counter-clockwise so that the screw heads fit in the keyhole slots. Fasten the screws, and then connect the cables.



4-3-3. Install the dome cover. Tune the focus, and refer to the documentation that came with your cameras for the rest of configuration details.