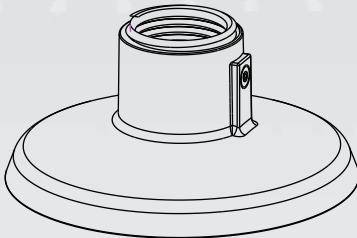


VIVOTEK Fixed Dome Series Mounting Cap

AM-52B Mounting Cap,
AM-522 Mounting Adapter,
AM-116 Mounting Pipe,
AM-117 Mounting Pipe
AM-118 Pendant Head

Installation Guide



Corresponding part number:

AM-52B: 100193800G

AM-116: 900014301G

AM-117: 900014401G

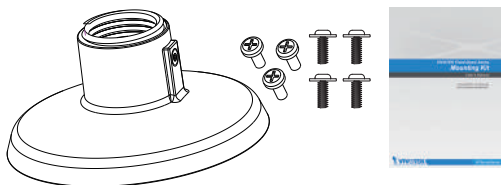
AM-118: 900014600G

AM-522: 900020201G

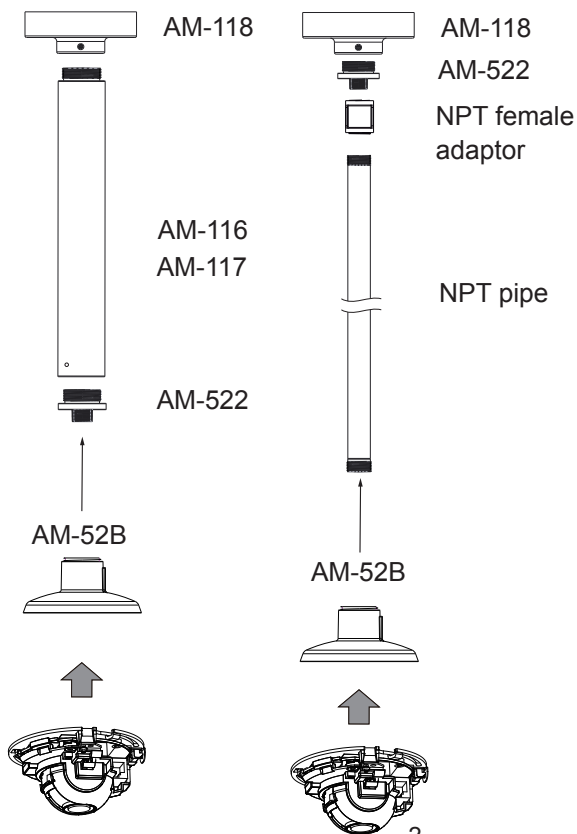
Revision History:

Rev. 1.0: Initial release.

AM-52B Mounting Adapter Package Contents



Applications



1 Compatible VIVOTEK Cameras

Standard pipe installation: AM-118+AM-117 / 116 + AM-522 +AM-52B	FD8166A series, FE9180-H
NPT pipe: AM-118 + AM-522 + NPT pipe + AM-52B	FD8166A series, FE9180-H

WARNING:

1. Select a suitable location where the camera is free from accidental damage, tampering, or harsh environmental conditions.
2. Locate a place for the installation where the camera can not be intentionally or unintentionally interfered.
3. Select a solid and flat mounting surface that can support the combined weight of the camera and associated hardware. Vibration and temperature range should also be taken into consideration.

2 Compatible Accessories

Compatible Accessories: AM-118 Pendant Head



Compatible Accessories: AM-522 Pendant NPT Adaptor



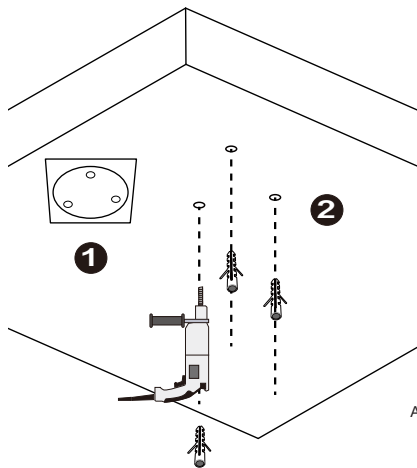
Compatible Accessories: AM-116 and AM-117 Pendant Pipe



NOTE: The NPT pipes and adaptors are user-supplied.

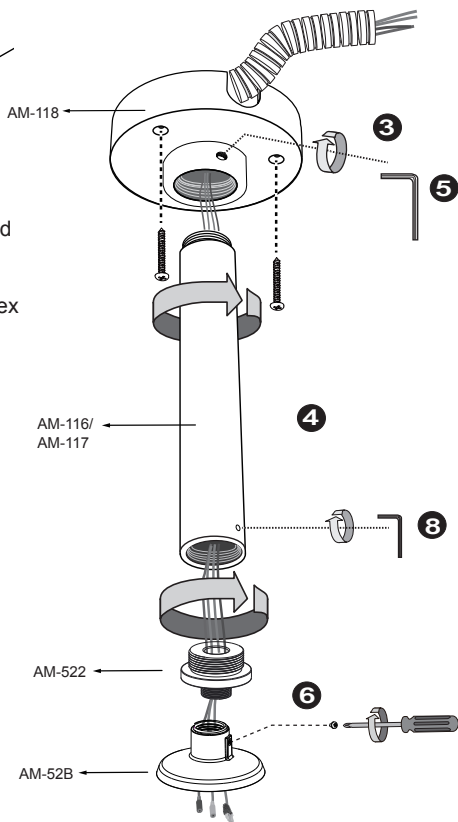
3 Direct Installation

3-1. Using the Pendant Pipe

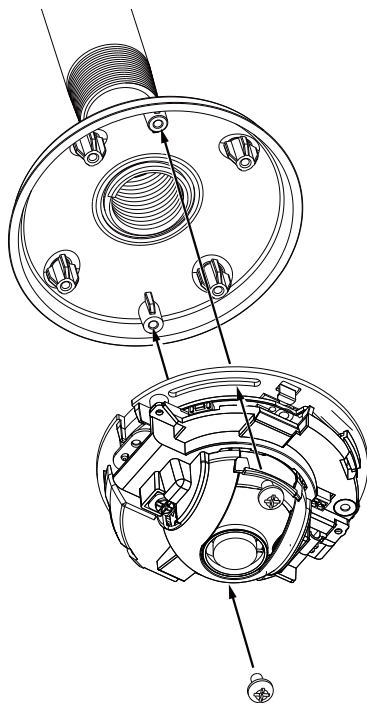
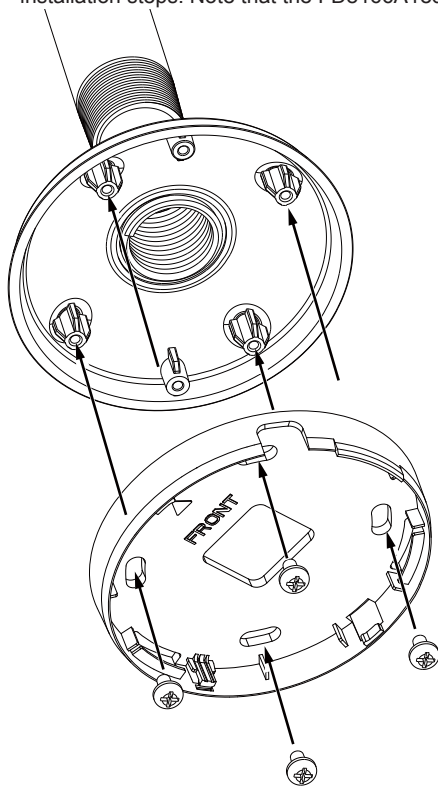


1. Determine a hard surface ceiling location, and use the included alignment sticker for marking three mounting holes as where holes will be drilled to secure the pendant head.
2. Hammer in the plastic anchors.

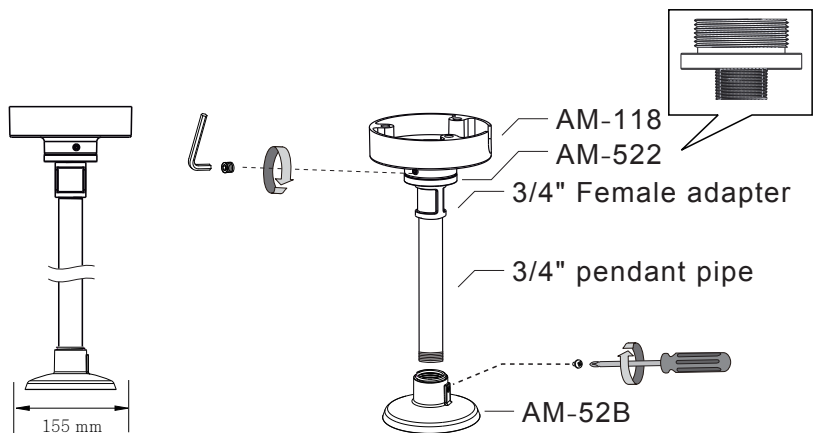
3. Secure pendant head using the included screws.
4. Install the pendant pipe.
5. Tighten the retention screw using the hex wrench.
6. Install the AM-522.
7. Install the AM-52B.
8. Tighten the retention screw using the included hex wrench.



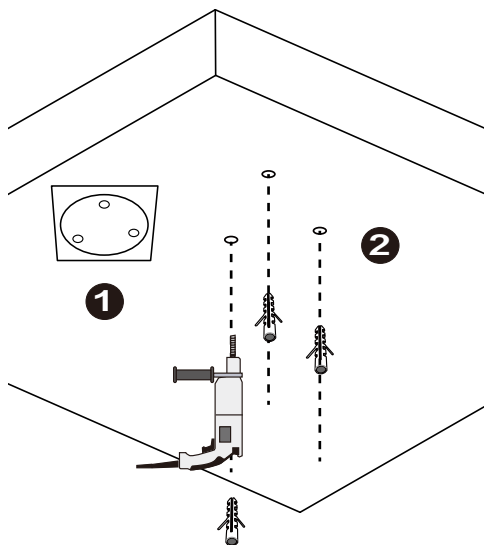
8. Install the camera to the mounting cap. Install the mounting bracket using 4 screws for the fisheye camera. Follow the procedure on the camera's QIG for the rest of the installation steps. Note that the FD8166A requires only 2 screws.



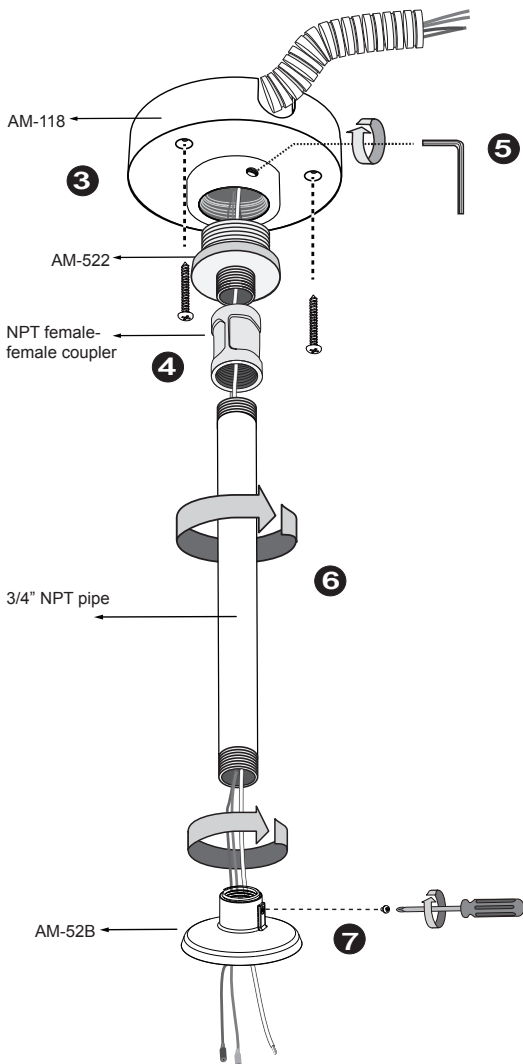
3-2. Using the 3/4" NPT Pipe



1. Determine a hard surface ceiling location, and use the included alignment sticker for marking three mounting holes as where holes will be drilled to secure the pendant head.
2. Hammer in the plastic anchors.



- Secure the pendant head using the included screws.
- Install the AM-522 adaptor and the NPT female-female coupler (user-supplied)
- Tighten the retention screw using the hex wrench.
- Install the 3/4" NPT pipe of a preferred length.
- Install the AM-52B and tighten the retention screw.



Note the FD8166A has a fixed shooting direction. You can turn the mounting cap towards a desired direction and then fasten the retention screw.

