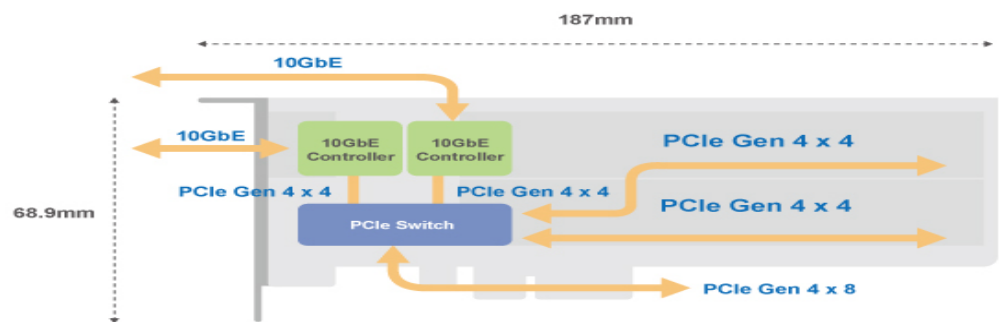


Dual M.2 2280 PCI Express 4.0 NVMe SSD & dual-port 10GbE expansion card

Controller	Marvell AQC113C
Connector	2 x M.2 2280 PCIe (Gen4 x4) NVMe SSD slots
PCIe and Lanes	PCIe Gen4 x8
Bracket	Low-profile (default). Low-profile flat and Full-height brackets are also included.
Dimensions (L x W x H)	187 × 68.9 × 19.35 mm
Form factor	Low-profile
Cable	RJ-45; over CAT-6 class cable
Note [PC]	Note: Windows devices: The driver for QM2-2P410G2T is required. Click here to download the driver

Architecture Diagram



Note: Use only QNAP memory modules to maintain system performance and stability. For NAS devices with more than one memory slot, use QNAP modules with identical specifications.

Warning: Using unsupported modules may degrade performance, cause errors, or prevent the operating system from starting. QNAP reserves the right to replace partial parts or accessories if the original is no longer available from its manufacturer/supplier. Any replacement would be fully tested and verified to meet strict compatibility and stability guidelines and will deliver identical performance to the original.

The terms HDMI, HDMI High-Definition Multimedia Interface, HDMI trade dress and the HDMI Logos are trademarks or registered trademarks of HDMI Licensing Administrator, Inc.

Product images are for illustrative purposes only and may differ from the actual product. Due to differences in monitors, colors of products may also appear different to those shown on the site.

Designs and specifications are subject to change without notice.