

AVC **BLN41AVT**

QUICK START GUIDE

4MP WATER-PROOF BULLET NETWORK CAMERA

TABLE OF CONTENTS

- Warning and Caution..... 1
- Package Content..... 2
- Overview..... 3
- Overview: Connecting Network Cable 4
- Camera Installation 5
- Network Connection..... 7

- Please read this instruction carefully before operating the unit and keep it for further reference.

- All the examples and pictures used here are for reference only.

- The contents of this manual are subject to change without notice.

Warning and Caution

- If the product does not work properly, please contact your dealer or the nearest service center. Never attempt to disassemble the camera yourself. (We shall not be responsible for any problems caused by unauthorized repair or maintenance.)

- In the use of the product, you must be strict compliance with the electrical safety regulations of the nation and region. When the product is mounted on wall or ceiling, the device shall be firmly fixed.

- Do not allow water or liquid intrusion into the camera.

- Do not use camera beyond specified voltage range.

- Do not drop the camera or subject it to physical shock.

- Avoid touching the camera lens.

- If cleaning is necessary, please use clean cloth to wipe it gently.

- Do not aim the camera at the sun or extra bright place.

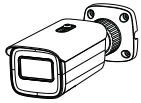
- Do not place the camera in extremely hot, cold (the operating temperature shall be $-30^{\circ}\text{C}\sim 60^{\circ}\text{C}$), dusty or damp locations, and do not expose it to high electromagnetic radiation.

- To avoid heat accumulation, good ventilation is required for operating environment.

Thank you for purchasing this AVYCON IP Network Camera. This guide provides basic instructions on installing and accessing this IP Network Camera. For more details, please refer to the User Manual.

Package Contents

AVC-BLN41AVT



Camera



Quick Start Guide



CD



4 tapping screws
1 machine screw



Plastic plug x4



Drill template



Rubber plug

	ITEMS	QUANTITY	DESCRIPTION
DEFAULT	Avycon Network Camera	1 Pc	The purchased model
	Quick Start Guide	1 Pc	Printed material
	CD	1 Pc	Printed material
	Tapping Screws	4 Pc	Materials
	Machine Screw	1 Pc	Materials
	Plastic Plug	4 Pc	Material
	Drill Template	1 Pc	Material
	Rubber Plug	1 Pc	Material

Caution

- * Do not expose the product to rain moisture
- * Make sure the device is firmly fixed when mounting it on the wall or ceiling
- * Make sure that the power supply voltage is correct before using the camera
- * Do not use a 3rd party Power Adapter
- * Never attempt to disassemble or modify the camera

System Requirements

OPERATING SYSTEM: Windows XP / Vista / 7 / 8 / 10 / 11/ Server 2000 / Server 2008

CPU: 1.66 Ghz or Higher

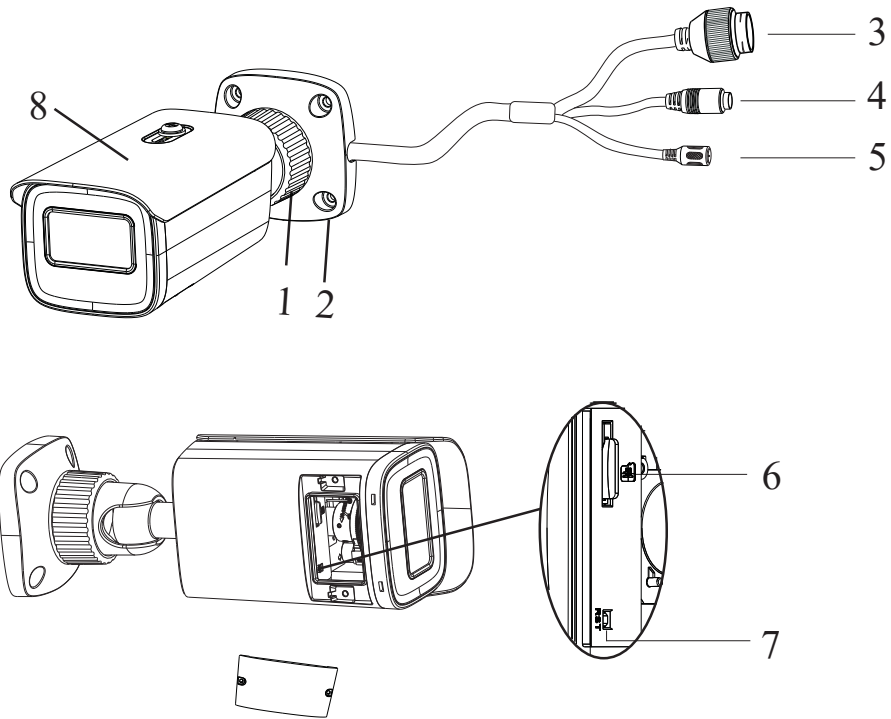
RAM: 1G or Higher

Graphic Memory: 128MB or more

Internet Protocol: TCP / IP (IPv4 / IPv6)

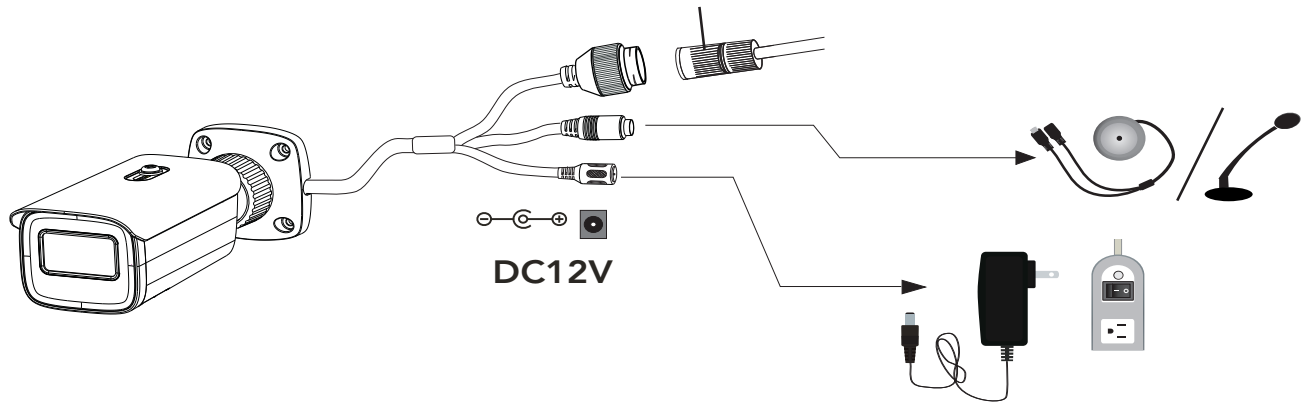
Overview

AVC-BLN41AVT



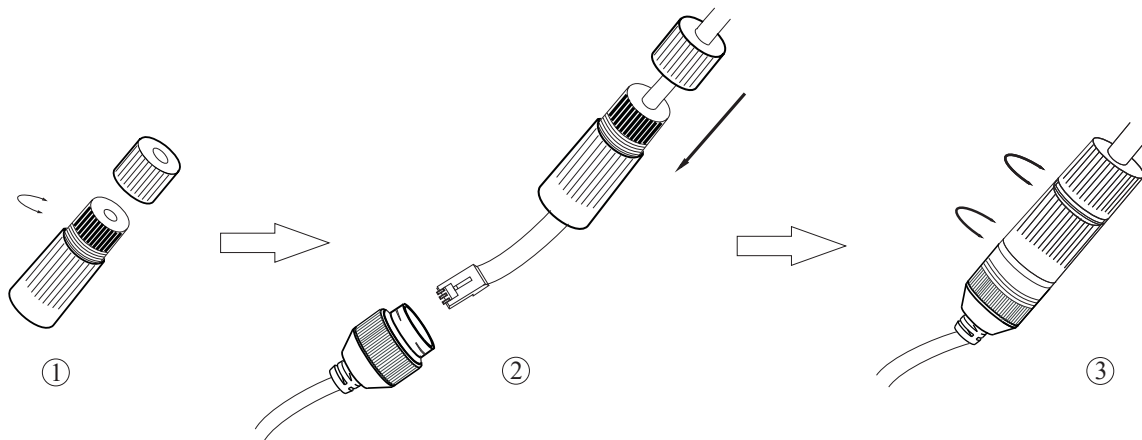
- | | | | |
|---|--------------------|---|--------------------|
| 1 | Fixed Ring | 5 | Power Connector* |
| 2 | Mounting Base | 6 | Micro SD card slot |
| 3 | Network Connector* | 7 | Reset |
| 4 | Audio Input | 8 | Sunshield |

- * It is recommended to install the security cap for outdoor installation.
- * If the PoE switch is used to power the camera, DC12V power supply is not required.



Overview - Connecting Network Cable

AVC-BLN41AVT



Step 1: Loosen the nut from the main element.

Step 2: Run the network cable (without RJ 45 connector) through the both elements. Then crimp the cable with RJ 45 connector.

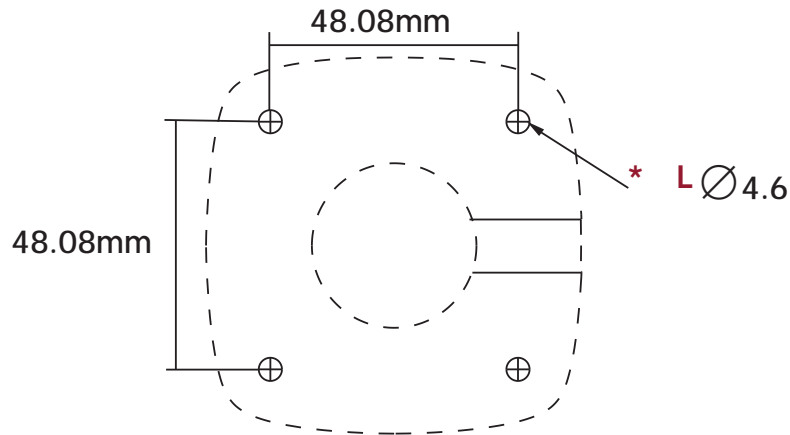
Step 3: Connect the cable to the hermetic connector. Then tighten the nut and the main cover.

Camera Installation

AVC-BLN41AVT

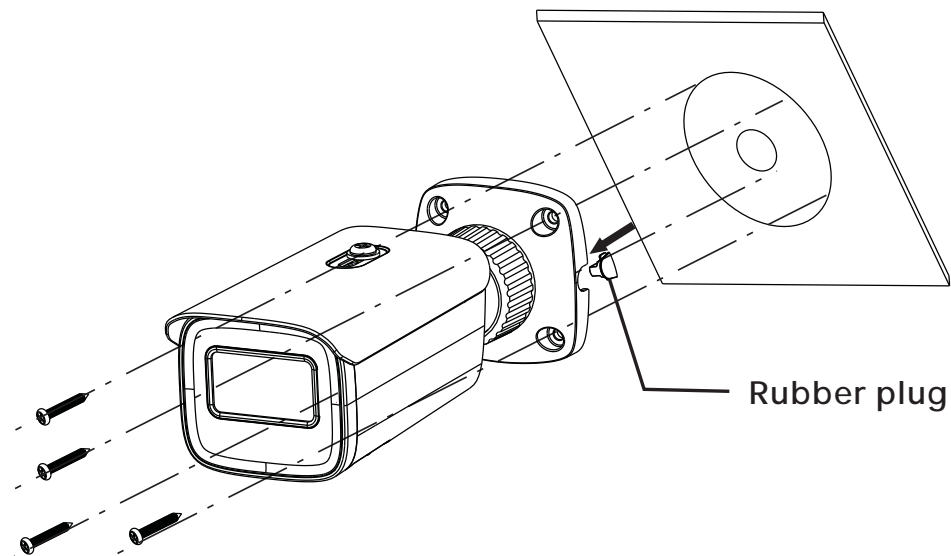
Please make sure that the wall or ceiling is strong enough to withstand 3 times the weight of the camera. Please install the camera under dry environment.

Step 1: Drill the screw holes and the cable hole on the wall according to the drill template.

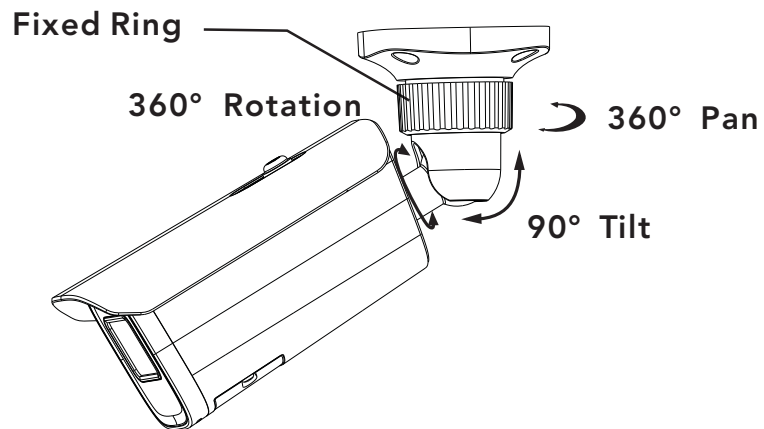


Step 2: Route and connect the cables .

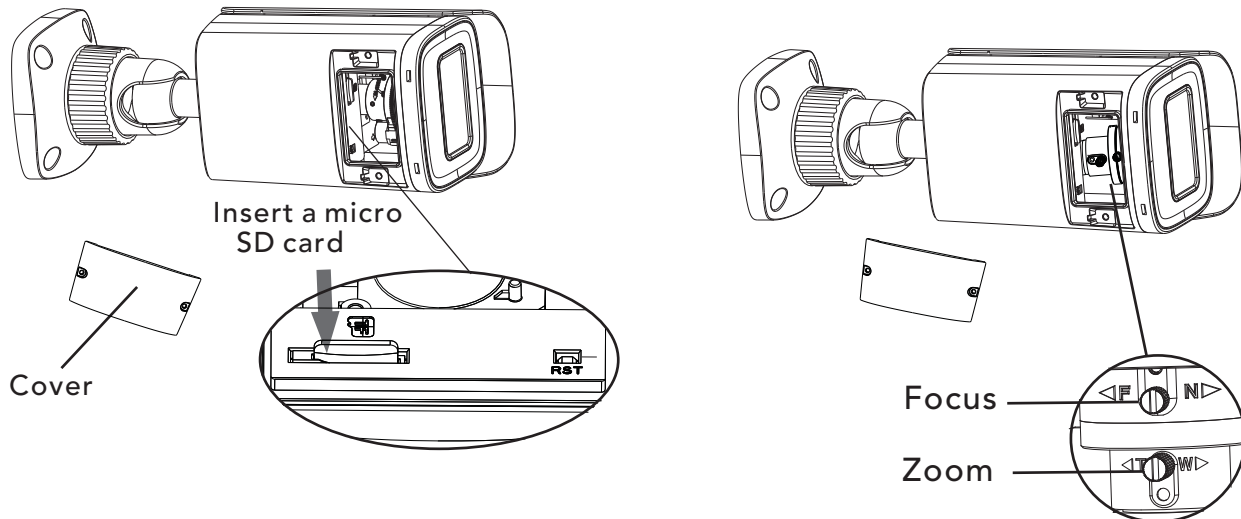
Step 3: Secure the mounting base with camera to the wall with the screws provided.



Step 4: Bracket adjustment. Before adjustment, preview the image of the camera on a monitor and then loosen the fixed ring to adjust the view angle of the camera.



Step 5: Open the cover of the camera and then insert a micro SD card. After that, adjust Zoom or Focus lever to obtain an optimum image (If the camera is fixed or motorized lens, please skip this step). Before adjustment, preview the image of the camera on a monitor.

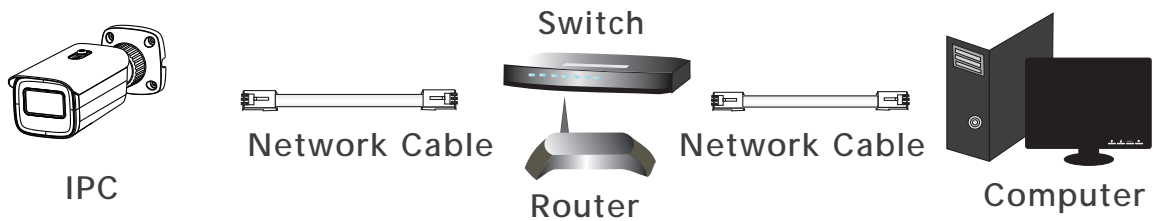


Step 6: Install the cover back to the camera and fix it firmly with the screws. (Note that the cover should not be installed unevenly.)

Network Connection

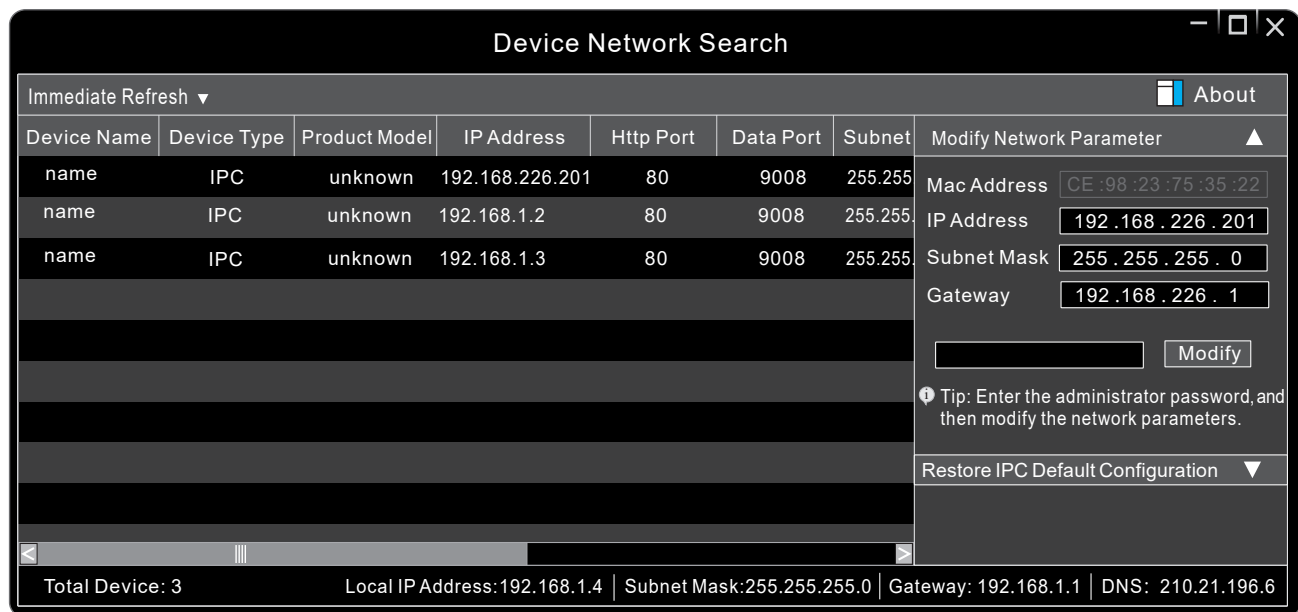
AVC-BLN41AVT

* Access the camera through IP-Tool



Step 1: Make sure that the camera and the PC are well connected via LAN.

Step 2: Find the IP-Tool from the CD and then install it in the computer. After that, run the IP-Tool as shown below.



Step 3: Double click the camera information listed in the IP-Tool to open the web browser. Or manually enter the default IP address in the address bar of your browser.

The default IP address of this camera is **192.168.226.201**. Then follow directions to download and install the plugin if prompted.

Step 4: Activate and log in the camera. The default username is **admin**; the default password is **123456** or you need to self-define the password. Please operate according to the actual situation.

AVYCON[®]



AVYCON[®]

Copyright © AVYCON. All rights reserved. Specifications and pricing are subject to change without notice.

phone: 949-752-7606
email: info@avycon.com
social: [@avycon_aivo](#)
website: avycon.com