

AVC **BLN41FT_2.8**

QUICK START GUIDE

4MP WATER-PROOF BULLET NETWORK CAMERA

TABLE OF CONTENTS

- Warning and Caution..... 1
- Package Content..... 2
- Overview..... 3
- Overview: Connecting Network Cable 4
- Camera Installation 5
- Network Connection..... 7

- Please read this instruction carefully before operating the unit and keep it for further reference.

- All the examples and pictures used here are for reference only.

- The contents of this manual are subject to change without notice.

Warning and Caution

- If the product does not work properly, please contact your dealer or the nearest service center. Never attempt to disassemble the camera yourself. (We shall not be responsible for any problems caused by unauthorized repair or maintenance.)

- Do not allow water or liquid intrusion into the camera.

- In the use of the product, you must be strict compliance with the electrical safety regulations of the nation and region. When the product is mounted on wall or ceiling, the device shall be firmly fixed.

- Do not use camera beyond specified voltage range.

- Do not drop the camera or subject it to physical shock.

- Avoid touching the camera lens.

- If cleaning is necessary, please use clean cloth to wipe it gently. If the device will not be used for a long time, please cover the lens cap to protect the device from dirt.

- Do not aim the camera at the sun or extra bright place.

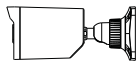
- Do not place the camera in extremely hot, cold (the operating temperature shall be $-30^{\circ}\text{C}\sim 60^{\circ}\text{C}$), dusty or damp locations, and do not expose it to high electromagnetic radiation.

- To avoid heat accumulation, good ventilation is required for operating environment.

Thank you for purchasing this AVYCON IP Network Camera. This guide provides basic instructions on installing and accessing this IP Network Camera. For more details, please refer to the User Manual.

Package Contents

AVC-BLN41FT_2.8



Camera



Quick Start Guide



CD



4 tapping screws
1 machine screw



Plastic plug x4



Drill template

	ITEMS	QUANTITY	DESCRIPTION
DEFAULT	Avycon Network Camera	1 Pc	The purchased model
	Quick Start Guide	1 Pc	Printed material
	CD	1 Pc	Printed material
	Tapping Screws	4 Pc	Materials
	Machine Screw	1 Pc	Materials
	Plastic Plug	4 Pc	Material
	Drill Template	1 Pc	Material

Caution

- * Do not expose the product to rain moisture
- * Make sure the device is firmly fixed when mounting it on the wall or ceiling
- * Make sure that the power supply voltage is correct before using the camera
- * Do not use a 3rd party Power Adapter
- * Never attempt to disassemble or modify the camera

System Requirements

OPERATING SYSTEM: Windows XP / Vista / 7 / 8 / 10 / 11 / Server 2000 / Server 2008

CPU: 1.66 Ghz or Higher

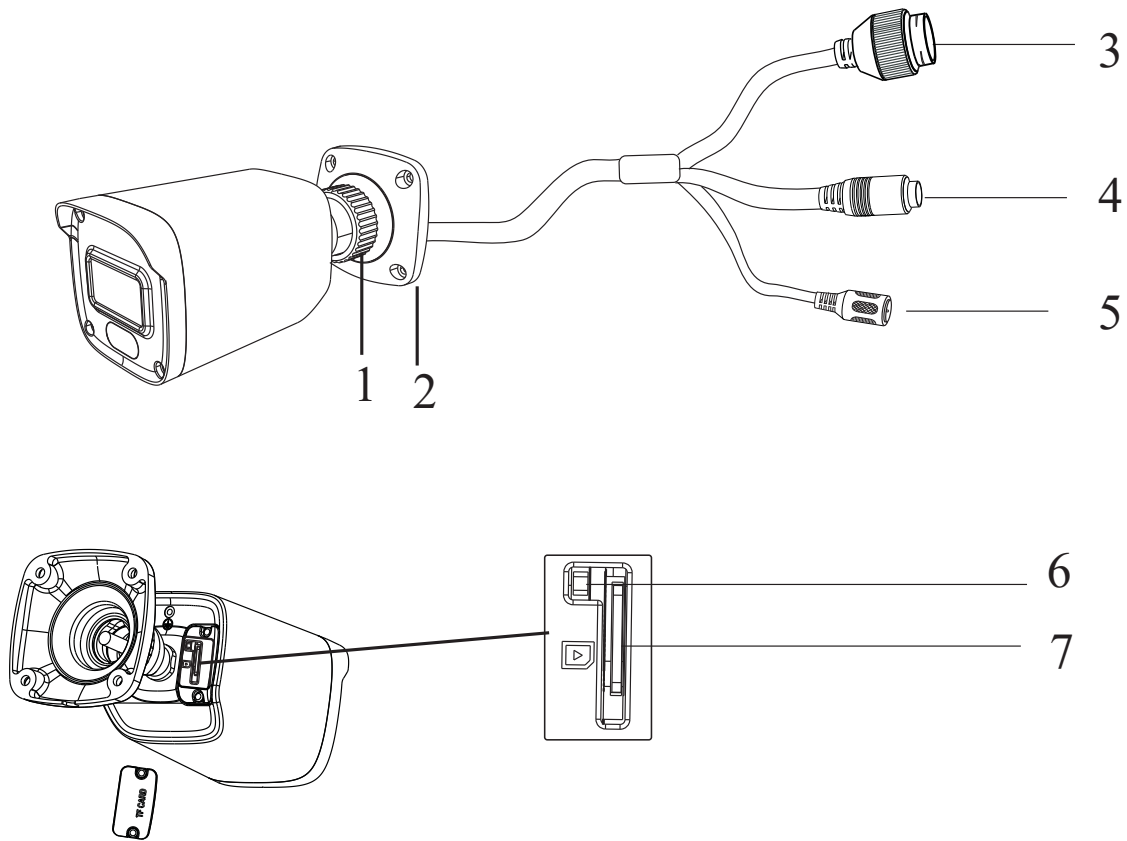
RAM: 1G or Higher

Graphic Memory: 128MB or more

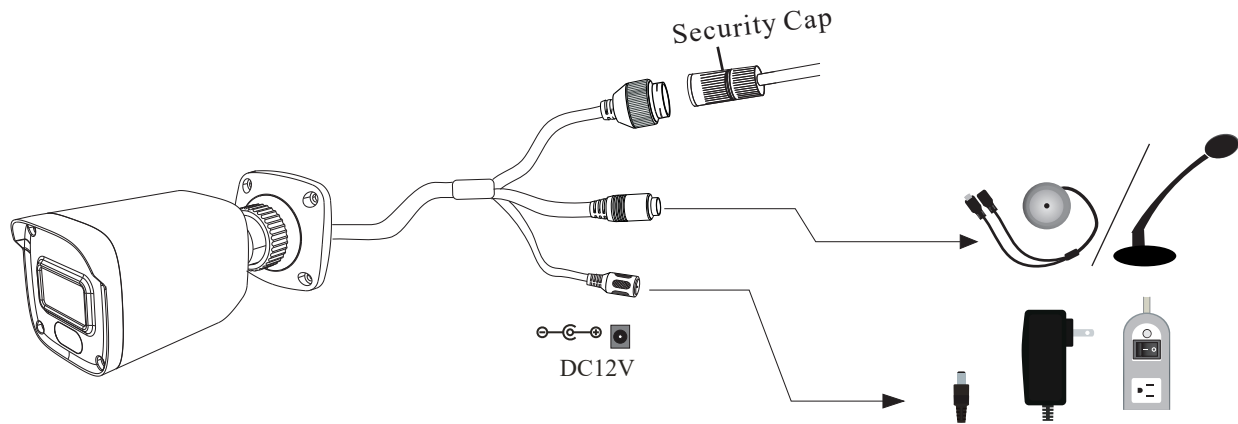
Internet Protocol: TCP / IP (IPv4 / IPv6)

Overview

AVC-BLN41FT_2.8



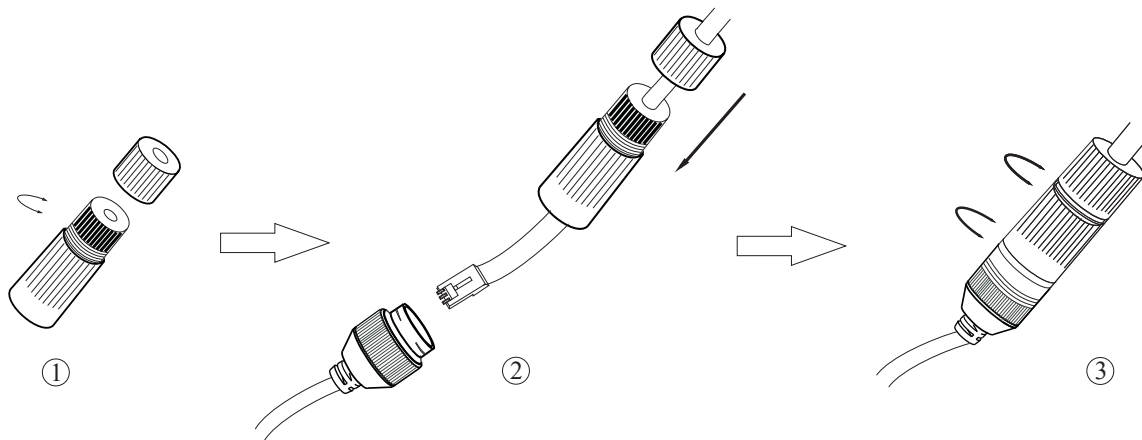
- | | | | |
|---|--------------------|---|--------------------|
| 1 | Fixed Ring | 5 | Power Connector* |
| 2 | Mounting Base | 6 | Reset |
| 3 | Ethernet Connector | 7 | Micro SD card slot |
| 4 | Audio Input | | |



- * 1, It is recommended to install the security cap for outdoor installation.
- * 2, DC12V power supply is not required if a PoE switch is used to power the camera.

Overview - Connecting Network Cable

AVC-BLN41FT_2.8



Step 1: Loosen the nut from the main element.

Step 2: Run the network cable (without RJ 45 connector) through the both elements. Then crimp the cable with RJ 45 connector.

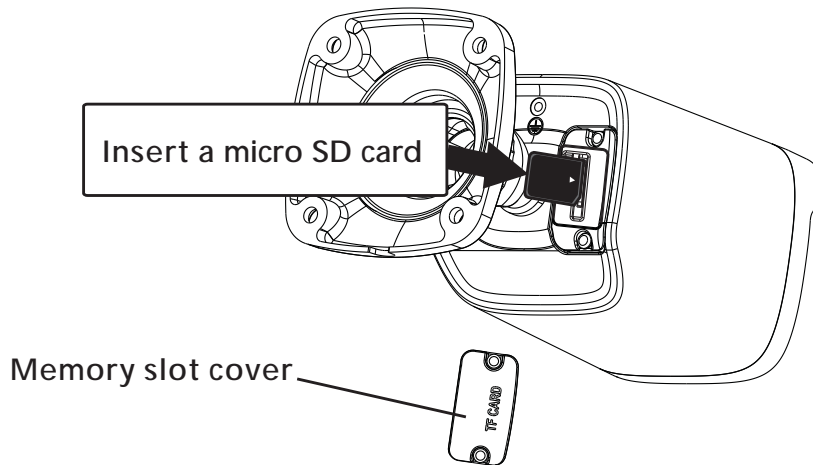
Step 3: Connect the cable to the hermetic connector. Then tighten the nut and the main cover.

Camera Installation

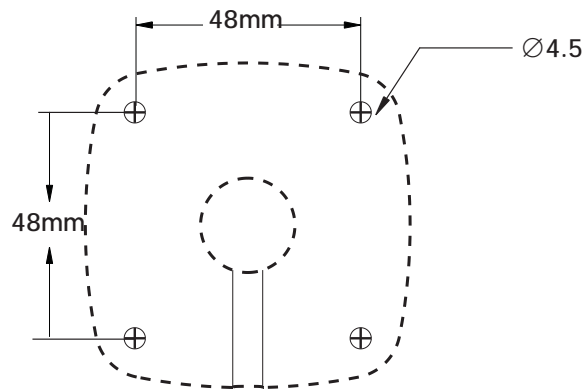
AVC-BLN41FT_2.8

Please make sure that the wall or ceiling is strong enough to withstand 3 times the weight of the camera. Please install and use the camera in the dry environment.

Step 1: Install a micro SD card. Remove the memory slot cover from the camera by loosening the two screws and then install a micro SD card. After that, re-install the memory slot cover.

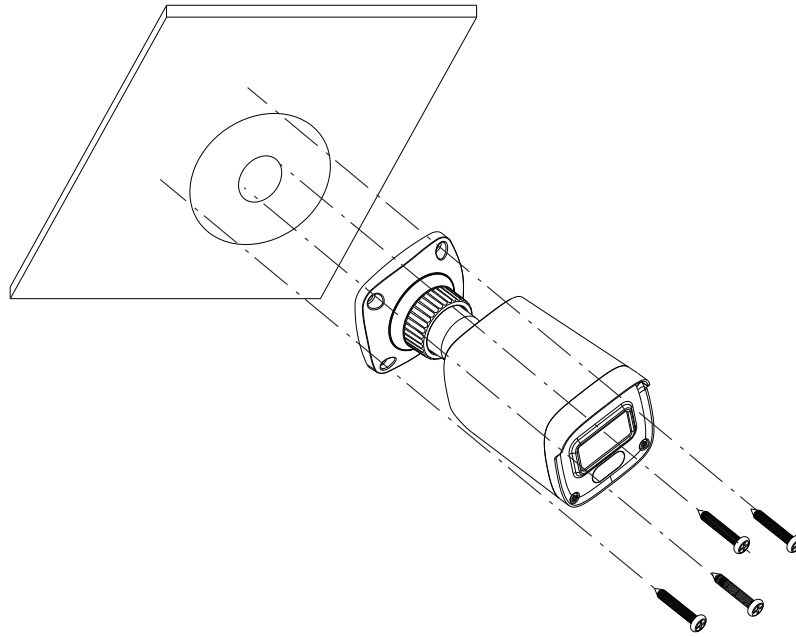


Step 2: Attach the drill template to the place where you want to fix the camera and then drill the screw holes and the cable hole on the wall according to the drill template.

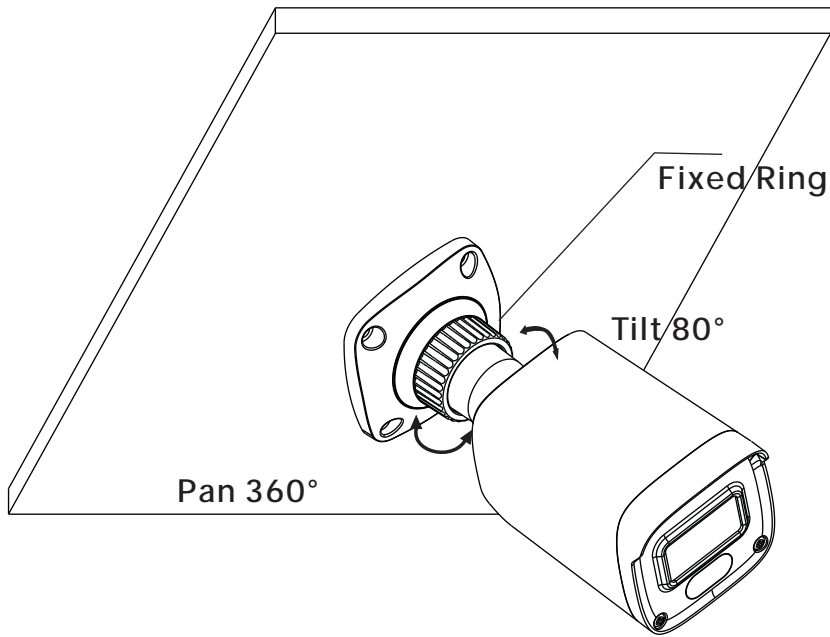


Step 3: Route and connect the cables.

Step 4: Secure the mounting base with camera to the wall with screws as shown below.



Step 5: Bracket adjustment. Before adjustment, preview the image of the camera on a monitor and then loosen the fixed ring to adjust the view angle of the camera.



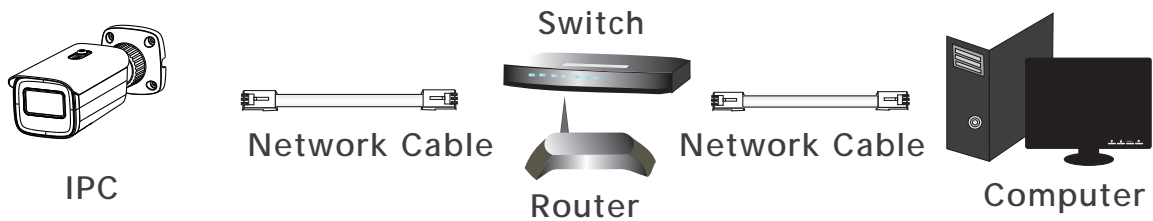
Step 6: Tighten the fixed ring after the adjustment.

Network Connection

AVC-BLN41FT_2.8

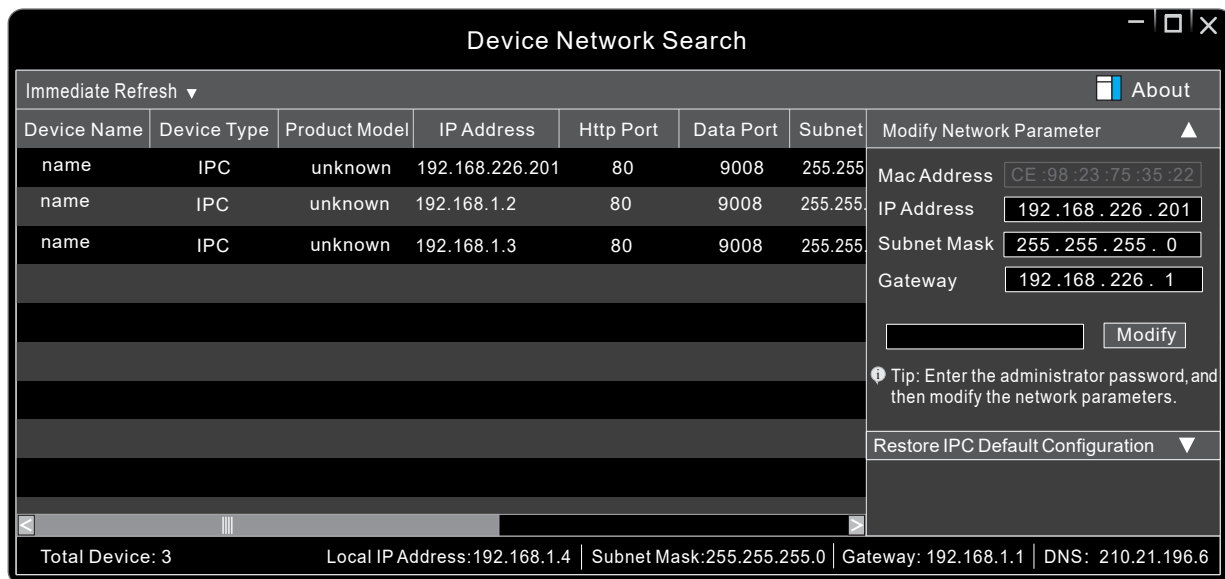
Here we take accessing IP camera via LAN for example.

* Access the camera through IP-Tool



Step 1: Make sure that the camera and the PC are well connected via LAN.

Step 2: Find the IP-Tool from the CD and then install it in the computer. After that, run the IP-Tool as shown below.



Step 3: Double click the camera information listed in the IP-Tool to open the web browser. Or manually enter the default IP address in the address bar of your browser.

The default IP address of this camera is **192.168.226.201**. Then follow directions to download and install the plugin if prompted.

Step 4: Activate and log in the camera. The default username is **admin**; the default password is **123456** or you need to self-define the password. Please operate according to the actual situation.

AVYCON[®]



AVYCON[®]

Copyright © AVYCON. All rights reserved. Specifications and pricing are subject to change without notice.

phone: 949-752-7606

email: info@avycon.com

social: [@avycon_aivo](#)

website: avycon.com