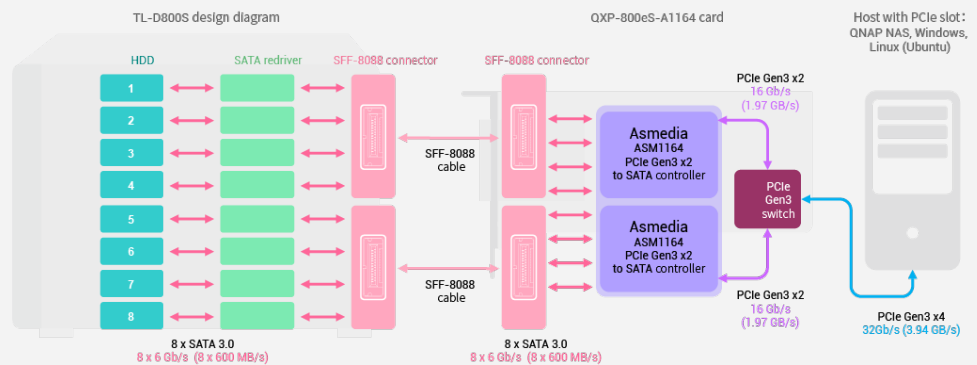


8-port SATA expansion card

Controller	Asmedia ASM1164
Connector	2 x SFF-8088
Supported SATA driver numbers	8 x SATA 6Gb/s drives (Each SFF-8088 connector supports four SATA drives)
PCIe interfaces	PCIe Gen3 x4 (32Gbps)
Supported operating systems	QTS 4.4.2 or later, QuTS hero - Windows 8 or later - Windows Server 2012 R2 or later - Linux with Kernel 3.10 or later
Form factor	Low-profile 119.65 x 68.9 x 17.24 mm (Without bracket 119.65 x 68.9 x 12 mm)
Cable	QNAP provides 1.0M SFF-8088 cable for optional purchase. Order number: CAB-SAS10M-8088

Architecture Diagram



Note: Use only QNAP memory modules to maintain system performance and stability. For NAS devices with more than one memory slot, use QNAP modules with identical specifications.

Warning: Using unsupported modules may degrade performance, cause errors, or prevent the operating system from starting. QNAP reserves the right to replace partial parts or accessories if the original is no longer available from its manufacturer/supplier. Any replacement would be fully tested and verified to meet strict compatibility and stability guidelines and will deliver identical performance to the original.

The terms HDMI, HDMI High-Definition Multimedia Interface, HDMI trade dress and the HDMI Logos are trademarks or registered trademarks of HDMI Licensing Administrator, Inc.

Product images are for illustrative purposes only and may differ from the actual product. Due to differences in monitors, colors of products may also appear different to those shown on the site.

Designs and specifications are subject to change without notice.