

R71CF-39

2MP



- Access Control with Card + Face Recognition
- 8" LCD Color Touch Screen
- Wiegand Reader and Controller
- Bundle with 100,000 Face Database
- Built-in MIFARE, DESFire Card Reading Module
- Not available in the USA

► Specifications

Device

Product Type	Reader and Controller
Device Type	Access Controller RFID Reader Face Reader
Maximum Resolution	2MP
Product Application	Access Control with Card + Face Recognition
Application Environment	Semi-Outdoor
Description	Semi-Outdoor 2MP Mifare LCD Card Face Recognition Wiegand Reader and Controller with Bundle 100,000 Card Database / 100,000 Face Database.
LCD Screen	8" Color Touch Screen; Resolution: 1280 × 800

Lens

Number of Lenses	2 Lenses
Focal Length	Fixed focal

Video

Built-in Analytics	Face Recognition, RFID Recognition
--------------------	------------------------------------

Network

Ethernet Port	1 x Ethernet (10/100/1000 Base-T), RJ-45 connector
---------------	--

Video Analytics

Face Recognition Distance	0.3m - 3m
---------------------------	-----------

Event

Event Log	150,000
-----------	---------

System

Operating System	Linux
Language	English

Access Control Functionality

Access Mode	Card only, Face only, Card and Face
Wiegand Format	Wiegand 26, Wiegand 34

RFID Card

Communication Frequency	13.56 MHz
RFID Standard	ISO 14443A
Reading Range	0-5cm
RFID Options	MIFARE, DESFire

Storage

User Database	Card Capacity: 100,000 Face Picture Capacity: 100,000
Card + Face Detection User Limit	100,000
Face Only Detection User Limit	100,000

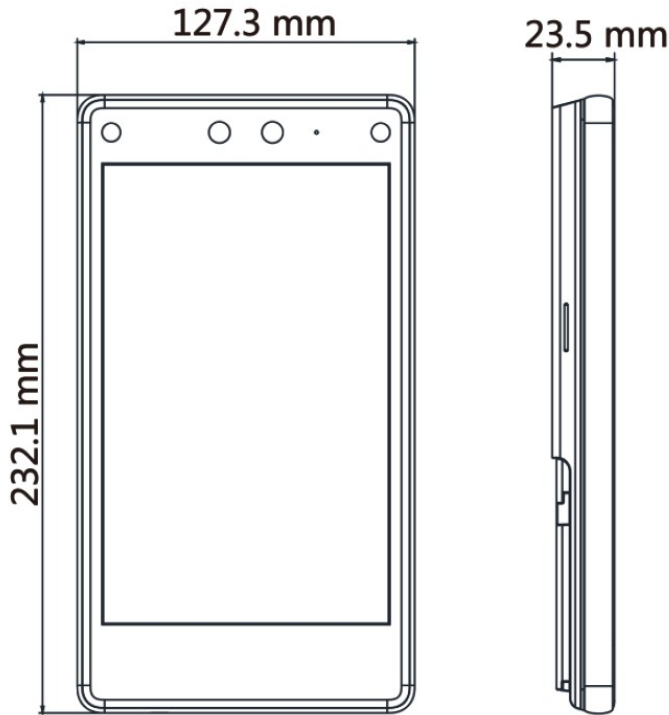
Interface

Serial Port	1 x RS-485
Digital Input/Output	2/1
Digital Input	Exit Button x 1, Door contact x 1
Relay Output	Door lock x 1
External Reader	Wiegand x 1

General

Power Source	DC 12V, 3 A
Dimensions	(W x H x D): 127.3mm x 232.1mm x 23.5mm (5.0" x 9.1" x 0.9")
Environmental Casing	Weather resistant (IP65)
Operating Temperature	-30°C ~ 60°C (-22°F ~ 140°F)
Operating Humidity	0% - 90% RH
Warranty	1 Year(s). For extended warranty offering, see http://www.acti.com/support/warranty

▶ Dimension Diagram



Unit: mm [inch]

▶ Related Products

Access Control System - Access Card

PACD-0004



RFID Card Mifare 13.56 MHz

Power Supply Accessories - Power Adapter

PPBX-0016



Power Adapter AC 100~240V (12V/5A Output), with universal connectors for R7 series

PPBX-0027



Power Adapter AC 100~240V (12V/3.33A Output), with universal connectors for R71CF-39