

# Reader & Controller User's Manual

R73C-32

2024/09/06



**ACTi**  
Connecting Vision

## Regulatory Information

---

### FCC Information

Please take attention that changes or modification not expressly approved by the party responsible for compliance could void the user's authority to operate the equipment.

FCC compliance: This equipment has been tested and found to comply with the limits for a Class B digital device, pursuant to part 15 of the FCC Rules. These limits are designed to provide reasonable protection against harmful interference in a residential installation. This equipment generates, uses and can radiate radio frequency energy and, if not installed and used in accordance with the instructions, may cause harmful interference to radio communications. However, there is no guarantee that interference will not occur in a particular installation. If this equipment does cause harmful interference to radio or television reception, which can be determined by turning the equipment off and on, the user is encouraged to try to correct the interference by one or more of the following measures:

- Reorient or relocate the receiving antenna.
- Increase the separation between the equipment and receiver.
- Connect the equipment into an outlet on a circuit different from that to which the receiver is connected.
- Consult the dealer or an experienced radio/TV technician for help

This equipment should be installed and operated with a minimum distance of 20cm between the radiator and your body.

### FCC Conditions

This device complies with part 15 of the FCC Rules. Operation is subject to the following two conditions:

1. This device may not cause harmful interference.
2. This device must accept any interference received, including interference that may cause undesired operation.

Now that the camera and the PC are both having their unique IP addresses and are under the same network segment, it is possible to use the Web browser of the PC to access the camera.

**EU Conformity Statement**



This product and - if applicable - the supplied accessories too are marked with "CE" and comply therefore with the applicable harmonized European standards listed under the EMC Directive 2014/30/EU, RE Directive 2014/53/EU, the RoHS Directive 2011/65/EU



2012/19/EU (WEEE directive): Products marked with this symbol cannot be disposed of as unsorted municipal waste in the European Union. For proper recycling, return this product to your local supplier upon the purchase of equivalent new equipment, or dispose of it at designated collection points. For more information see: [www.recyclethis.info](http://www.recyclethis.info)



2006/66/EC (battery directive): This product contains a battery that cannot be disposed of as unsorted municipal waste in the European Union. See the product documentation for specific battery information. The battery is marked with this symbol, which may include lettering to indicate cadmium (Cd), lead (Pb), or mercury (Hg). For proper recycling, return the battery to your supplier or to a designated collection point. For more information see: [www.recyclethis.info](http://www.recyclethis.info)

## Safety Information

---

These instructions are intended to ensure that user can use the product correctly to avoid danger or property loss.

The precaution measure is divided into Dangers and Cautions:

**Dangers:** Neglecting any of the warnings may cause serious injury or death. Follow these safeguards to prevent serious injury or death.

**Cautions:** Neglecting any of the cautions may cause injury or equipment damage. Follow these precautions to prevent potential injury or material damage.

### **Danger:**

- All the electronic operation should be strictly compliance with the electrical safety regulations, fire prevention regulations and other related regulations in your local region.
- Please use the power adapter, which is provided by the company. The power consumption cannot be less than the required value.
- Do not connect several devices to one power adapter as adapter overload may cause over-heat or fire hazard.
- Please make sure that the power has been disconnected before you wire, install or dismantle the device.
- When the product is installed on walls or ceiling, the device shall be firmly fixed.
- If smoke, odors or noise rise from the device, turn off the power at once and unplug the power cable, and then please contact the service center.
- Risk of explosion if the battery is replaced by an incorrect type
- Improper replacement of the battery with an incorrect type may defeat a safeguard (for example, in the case of some lithium battery types).
- This equipment is not suitable for use in locations where children are likely to be present.
- Do not dispose of the battery into fire or a hot oven, or mechanically crush or cut the battery, which may result in an explosion.
- Do not leave the battery in an extremely high temperature environment, which may result in an explosion or the leakage of flammable liquid or gas.
- Do not subject the battery to extremely low air pressure, which may result in an explosion or the leakage of flammable liquid or gas.
- Dispose of used batteries according to the instructions
- If the product does not work properly, please contact your dealer or the nearest service center. Never attempt to disassemble the device yourself. (We shall not assume any responsibility for problems caused by unauthorized repair or maintenance.)

## ⚠️ Cautions:

- Do not drop the device or subject it to physical shock, and do not expose it to high electromagnetism radiation. Avoid the equipment installation on vibrating surface or places subject to shock (ignorance can cause equipment damage).
- Do not place the device in extremely hot (refer to the specification of the device for the detailed operating temperature), cold, dusty or damp locations, and do not expose it to high electromagnetic radiation.
- The device cover for indoor use shall be kept from rain and moisture.
- Exposing the equipment to direct sun light, low ventilation or heat source such as heater or radiator is forbidden (ignorance can cause fire danger).
- Do not aim the device at the sun or extra bright places. A blooming or smear may occur otherwise (which is not a malfunction however), and affecting the endurance of sensor at the same time.
- Please use the provided glove when opening up the device cover, avoid direct contact with the device cover, because the acidic sweat of the fingers may erode the surface coating of the device cover.
- Please use a soft and dry cloth when cleaning inside and outside surfaces of the device cover, do not use alkaline detergents.
- Please keep all wrappers after unpacking them for future use. In case of any failure, you need to return the device to the factory with the original wrapper. Transportation without the original wrapper may result in damage to the device and lead to additional costs.
- Improper use or replacement of the battery may result in hazard of explosion. Replace with the same or equivalent type only. Dispose of used batteries according to the instructions provided by the battery manufacturer.
- Biometric recognition products are not 100% applicable to anti-spoofing environments. If you require a higher security level, use multiple authentication modes.
- Working temperature: 0 °C to 50 °C; Working humidity: 10% to 90% (no condensing)
- Indoor use. The device should be at least 2 meters away from the light, and at least 3 meters away from the window.
- Outdoor use or use in environment exceeding the device temperature measurement will affect the temperature measurement accuracy.








## Table of Contents

Regulatory Information.....	2
Safety Information .....	4
<b>Introduction.....</b>	<b>7</b>
<hr/>	
Package Content .....	7
Physical Description .....	8
Wiring.....	9
Wiring Terminal Description .....	9
<b>Installation.....</b>	<b>11</b>
<hr/>	
Wall Mounting .....	11
<b>Initial Setup .....</b>	<b>13</b>
<hr/>	
Activate via Device .....	13
<b>Interface .....</b>	<b>14</b>
<hr/>	
Keypad.....	14
Menu Settings .....	15

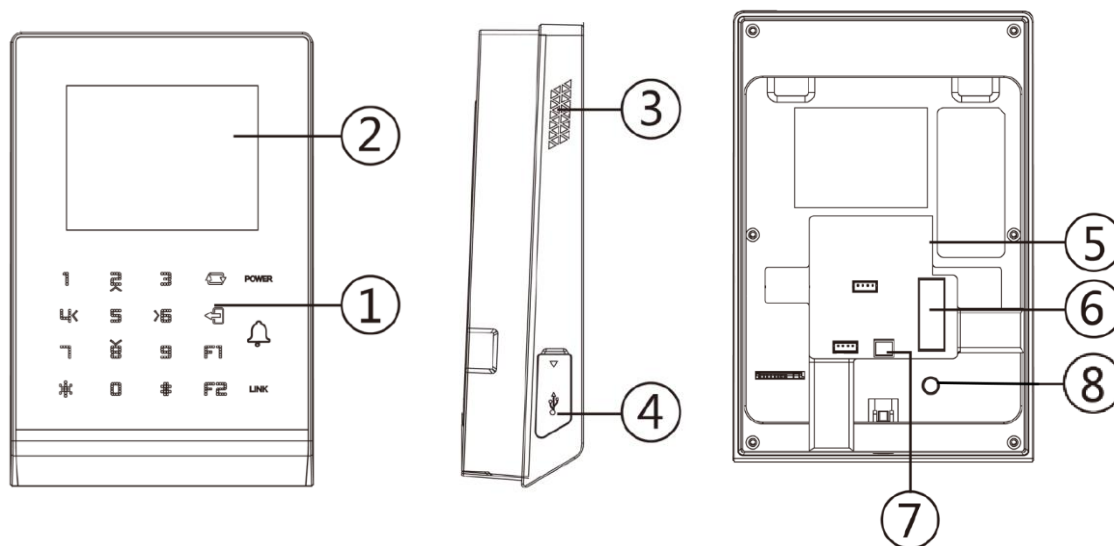
# Introduction

## Package Content

---

Reader & Controller	Mounting Plate	Wire Cable	Quick Guide
			
Wrench		Screw Pack	Warranty Card
			

## Physical Description



Item	
1	Display Screen
2	Keypad
3	Speaker
4	USB Port
5	Ethernet Port
6	Cable Connector
7	Power Connector
8	Tamper Key

## Wiring

The device comes with a wire cable which connects to power input, serial device, Wiegand device, alarm input/output devices and door lock, among others. The wires are color-coded and labeled for easy wiring. After wiring to external devices, connect the wafer terminal connector to the device.

You can connect a card reader using RS-485 connection. Connect the NC/NO and COM terminals to the door lock, connect the SEN and GND terminals to the door contact, and the BTN/GND terminal with the exit button, then connect the Wiegand terminal to the access controller.

When you connect an access controller through Wiegand, the device can send authentication data to the access controller. The access controller will then decide whether to unlock the door based on this information.

**NOTE:** A power adapter is not supplied with the device, contact sales to purchase separately. Individual power supply is also needed for external devices like card readers, exit button, door lock, etc.

### Wiring Terminal Description

Group	No.	Color	Label	Description
Power Input	A1	Red	+12 V	12V DC Power Supply
	A2	Black	GND	Ground
Alarm Input	B1	Yellow / Blue	IN1	Alarm Input 1
	B2	Black	GND	Ground
	B3	Yellow / Orange	IN2	Alarm Input 2
Alarm Output	B4	Yellow / Purple	NC	Alarm Output Wiring
	B5	Yellow / Brown	COM	
	B6	Yellow / Red	NO	
RS-485	C1	Yellow	485+	RS-485 Wiring
	C2	Blue	485-	
	C3	Black	GND	Ground
Wiegand	C4	Green	W0	Wiegand Wiring 0
	C5	White	W1	Wiegand Wiring 1

Group	No.	Color	Label	Description
	C6	Brown	WG_Ok	Card Reader Control Output Indicator (Valid Card Output)
	C7	Orange	WG_ERR	Card Reader Control Output Indicator (Invalid Card Output)
	C8	Purple	BUZZER	Buzzer Wiring
	C9	Grey	TAMPER	Tampering Alarm Wiring
Door Lock	D1	White/Purple	NC	Lock Wiring (NC)
	D2	White/Yellow	COM	Common
	D3	White/Red	NO	Lock Wiring (NO)
	D4	Yellow/Green	SEN (Sensor)	Door Contact
	D5	Black	GND	Ground
	D6	Yellow/Gray	BTN (Button)	Exit Door Wiring

- When connecting the door contact and exit button, the device and the RS-485 card reader should use the common ground connection.
- The suggested external power supply for door lock is 12 V, 1A. The suggested external power supply for the Weigand card reader is 12V. 1A.
- Do not wire the device to the electric supply directly.

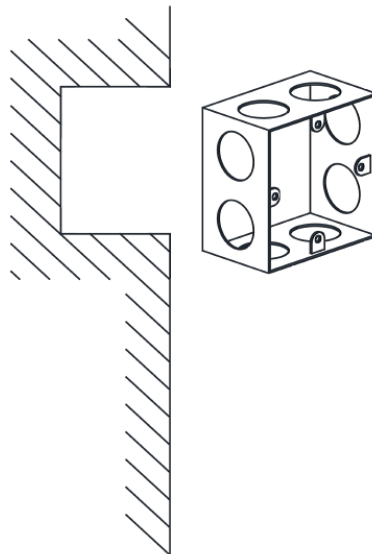
# Installation

## Wall Mounting

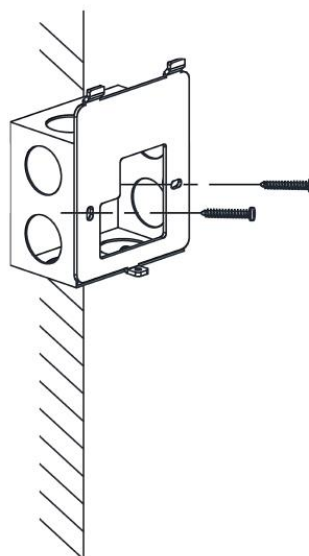
---

Before installation, make sure the wall is strong enough to withstand the three times the weight of the device.

1. Install a type 86 gang box into the wall.

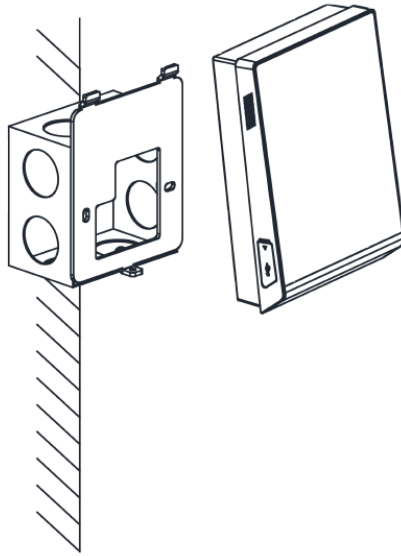


2. Secure the device mounting plate on the gang box using the two (2) supplied screws.

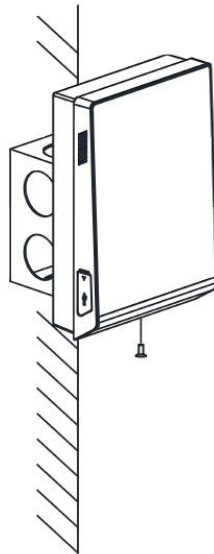


3. Route the cables through the cable hole of the mounting plate and connect the cables with the connector on the rear panel of the device.
4. Align the device with the mounting plate.

5. Buckle the device on the plate.



6. Tighten the screw to fix the device on the mounting plate and complete the installation.



# Initial Setup

Before using the device, activate the device first. The easiest way to do this is to activate through the device itself. After powering on the device, the system will enter Device Activation page.

## Activate via Device

---

1. On the prompt, create the password and press #.

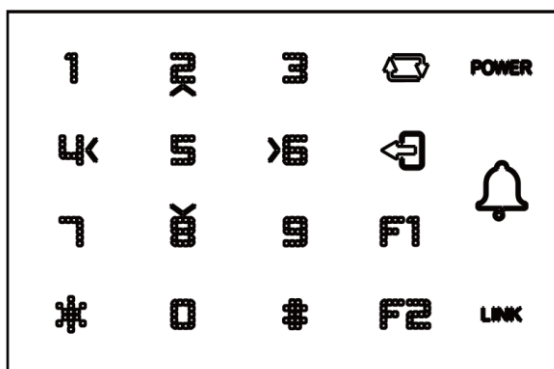
**NOTE:**



- The password should be at least 8 characters with digits, upper and lower case letters and symbols.
  - Press the up and down keys on the keypad to change the input method.
2. Confirm the password and press #. After activation, the device will enter the add administration page. Add an administrator before doing other operations.

# Interface

The main screen shows the date and time and status icons on the upper part of the screen. Use the keypad for operation.

## Keypad



Item		
1		Shift between numeric key and direction key.
2	0 ~ 9	Enter numbers/lower cases, numbers/upper cases and symbols in the text box. When entering non-numeric characters, 0 can be a space key.
3	*	Exit key
4	#	Hold the key to enter the login page. Press the key to confirm. After login, the key can be a confirmation or selection key.
5		Delete key. Press to delete the contents in a textbox.
6	POWER	Power status indicator: <ul style="list-style-type: none"> <li>• Solid blue: Normal power</li> <li>• Off: Power exception</li> </ul>
7	LINK	<ul style="list-style-type: none"> <li>• Solid blue: Present normal card / Network is connected / Client software is armed</li> <li>• Flashing blue: Card reader mode</li> <li>• Solid red: Present illegal card</li> <li>• Off: Network is disconnected / Client software is not armed.</li> </ul>

Item		
8	F1	Editing key. Press to shift between modes: numbers / lower case, numbers / upper case and symbols.
9	F2	Reserved key

## Menu Settings

Long press # to login on the device. After a successful login, the main menu page appears. Use the keypad to navigate through the main menu.

Main Menu		Description
1	User Management	The User Management menu allows you to add, and search users.
2	Access Control Settings	The Access Control Settings menu allows you to configure the access control parameters including device authentication, sub reader authentication, door contact, door locked time, door-open timeout alarm, authentication time exceeded alarm, and super password.
3	Communication Settings	The Communication Settings menu allows you to configure the wired network, wi-fi, and wiegand settings.
4	System Settings	The System Settings menu allows you to configure system parameters such as date-time format, keypad sound, voice prompt, device volume, device sleep time, and auto logout time.
5	Data Transfer	The Data Transfer menu allows you to import and export user data to and from a USB flash drive. <b>NOTE:</b> <ul style="list-style-type: none"> <li>The USB flash drive format is FAT32.</li> <li>Save the file to be imported in the root directory.</li> </ul>
6	Log Query	The Log Query page allows you to search for authentication logs via user, employee ID name or card.

Main Menu		Description
7	Time Settings	The Time Settings page allows you to configure the device date and time, or set daylight saving time.
8	System Information	The System Information menu allows you to view the system information, device capacity, upgrade and restore the device to factory settings. <b>NOTE:</b> It is not recommended to restore to default factory settings. Instead, contact your sales agents or the customer help desk for assistance.



Copyright © 2024, ACTi Corporation All Rights Reserved

7F, No. 1, Alley 20, Lane 407, Sec. 2, Ti-Ding Blvd., Neihu District, Taipei, Taiwan 114, R.O.C.

TEL : +886-2-2656-2588    FAX : +886-2-2656-2599

Email: [sales@acti.com](mailto:sales@acti.com)