



SAMSUNG AUTO IRIS LENS FOR CAMERA OPERATING INSTRUCTIONS

SAMSUNG Lens is aimed at sharp, crisp images and exposure accuracy under even the most adverse lighting conditions.

The iris auto-close function protects imagers and optical filters from extreme high lights when power is off.

To receive the best possible results, read the instruction manual carefully before using the lens.



Samsung Techwin cares for the environment at all product manufacturing stages to preserve the environment, and is taking a number of steps to provide customers with more environment-friendly products. The Eco mark represents Samsung Techwin's will to create environment-friendly products, and indicates that the product satisfies the EU RoHS Directive.

CONTENTS

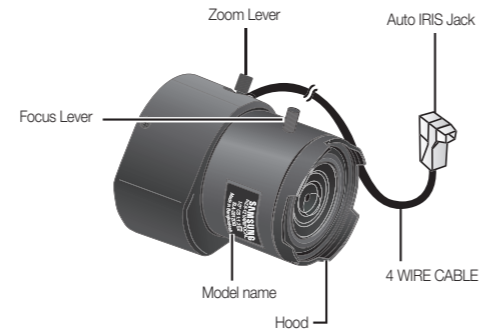
LENS	3
PART NAMES AND FUNCTION	3
IRIS	3
HOW TO ASSEMBLE LENS AND CS MOUNT CAMERA	4
WIRING	4
DIMENTION	5
SPECIFICATION	6

LENS

This lens embeds ND filter and takes auto iris function by Galvanometer.

It has self focus and mount control function, operates DC iris function through lens and attached cable.

PART NAMES AND FUNCTION



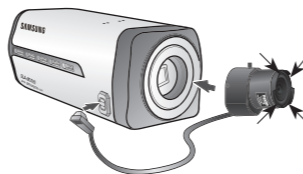
IRIS

This lens have a built-in ND filter and iris by Galvanometer. This iris tool is driven by inner circuit of camera.

If power is off, its state is locked.

HOW TO ASSEMBLE LENS AND CS MOUNT CAMERA

- 1) Turn the lens clockwise to lock onto camera part mount screw.
(When the lens locks successfully, it can turn around SLIP state)
- 2) Turn clockwise until stop by stopper even if it almost SLIP state.
- 3) From that point, turn the lens counter clockwise to rotate it in the SLIP state by up to 340 degrees. In such a way, you can adjust the lens to a desired position.
The proper installation is that you face each flat (non-hood) side toward the corner.
- 4) Connect the lens cable to the appropriate camera connector.
- 5) Finally, use the focus lever and zoom lever to fit the zoom factor and focus.
Then, fix the lens with the camera.



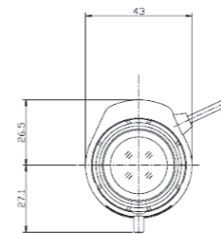
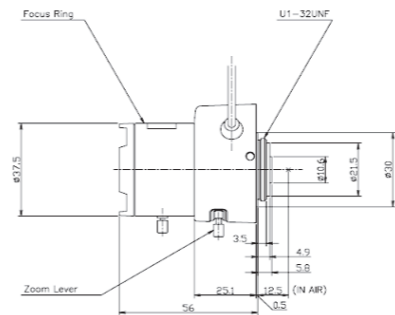
This lens takes CS mount type so should be used 12.5mm FLANGE-BACK setting camera.

WIRING

1	Brown	Control(-)
2	Red	Control(+)
3	Yellow	Drive(+)
4	Orange	Drive(-)



Dimension



SPECIFICATION

Model	SLA-2812DN	
Sensor Size	1/3"	
Focal Length	2.8-12mm	
Max. Aperture Ratio	1:1.3	
Operation	Iris	F1.3-360
	Focus	0.3m ~ ∞
	Zoom	4.2X
Angle of View	Diagonal	133°-29.7°
	Horizontal	102.2°-23.8°
	Vertical	74.2°-17.8°
Iris Type	DC	
Effective Lens Aperture	Front	Ø23.0mm(Ø0.91")
	Rear	Ø7.2mm(Ø0.28")
Back Focal Length	20.2mm~ 8.1mm(0.8" ~ 0.32")	
Flange Back Length	12.5mm(0.49")	
Mount	CS-Mount	
Dimension (W x H x D)	37.5mm x 48mm x 56mm (1.48" x 1.89" x 2.2")	
Weight	71g(0.16lb)	

SALES NETWORK

SAMSUNG TECHWIN CO., LTD.
Samsungtechwin R&D Center, 701, Sampyeong-dong, Bundang-gu, Seongnam-si, Gyeonggi-do, Korea, 463-400
TEL : +82-70-7147-8740-60 FAX : +82-31-8018-3745

SAMSUNG TECHWIN AMERICA Inc.
100 Challenger Rd. Suite 700 Ridgfield Park, NJ 07660
Toll Free : +1-877-213-1222 Direct : +1-201-325-6920
Fax : +1-201-373-0124
www.samsungcctvusa.com

SAMSUNG TECHWIN EUROPE LTD.
Samsung House, 1000 Hillwood Drive, Hillwood Business Park
Chertsey, Surrey, UNITED KINGDOM KT16 0PS
TEL : +44-1932-45-5300 FAX : +44-1932-45-5325

www.samsungtechwin.com
www.samsungsecurity.com