

ETS Inc.

SMS-2-5 Speaker/Microphone Switcher Instructions

The SMS-2-5 is a 2 to 5 zone switcher designed to be used with STW2 base stations and up to 5 ETS speaker microphones.

Speaker/microphone Placement

Do not mount the HSM6-DP speaker microphone near light fixtures or electrical equipment. The HSM6-DP should be placed as close as possible to the subject(s) to be monitored for best performance of the microphone. The HSM6-DP's microphone is useable at distances of up to 25 feet but is dependent on the level of background noise in the area. Experimentation in the environment will determine what distances work best.

Cable Runs

Run 2 each 22 gauge, stranded, two conductor shielded cable between the HSM6-DP speaker microphone and the SMS-2-5 and STW2-DM to the SMS-2-5. If you will be using call switches, run an additional 2 conductor shielded cable to the call switches from the STW2-DM directly. The call switches should be normally open types and wired in parallel. To avoid crosstalk issues, do not use a multiconductor shielded cable in place of the 3 cable runs. Keep the cable run distances at or under 500 feet and away from AC power sources, light fixtures and electrical equipment. See figure 1 for connecting the SMS-5 to an STW2-DM base station.

Note- If you are picking up radio stations or 60hz hum in the microphone, try Earth or electrical grounding the "com" terminal of the microphone pre-amplifier board. You can try this at the speaker microphone or STW2-DM or both.

Switching

Press the channel of the speaker microphone that you wish to listen to. In the event of a power failure, the SMS-2-5 will remember the last channel selected.

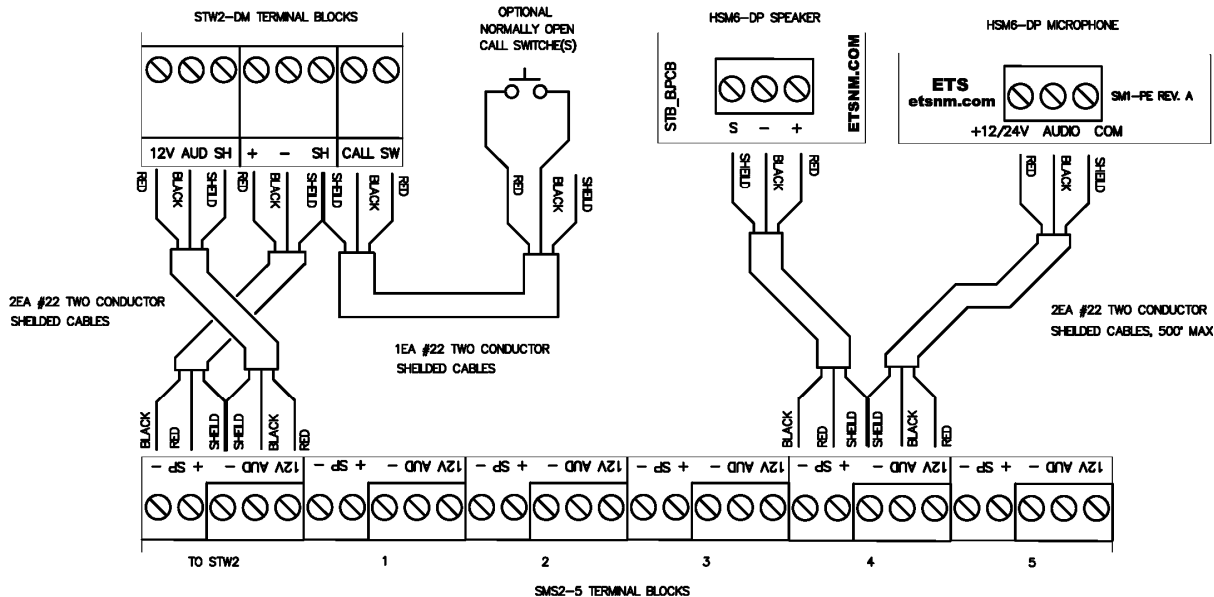


Figure 1.

Caution

It may be against the law to install this microphone kit in certain environments. It may also be against the law to record conversations of the person(s) being monitored without their knowledge. It is the responsibility of the installation company and end-user to determine if the application of this product is legal. These laws vary from state to state. If you are not informed on these matters, consult a qualified attorney or contact the appropriate state agency. A sticker is provided with this kit for the applications where notification must be posted

Warranty

All ETS products carry a one year parts and labor warranty. This warranty does not cover damages as a result of misuse, improper handling of the unit or exposure to extreme temperatures or moisture. At its discretion, ETS reserves the right to repair or replace this unit under the conditions of the warranty. If you experience problems with your equipment call ETS at: 505-888-3923 to obtain a return authorization number. Equipment requiring repair beyond the warranty period or units that have been damaged or are not covered under the warranty can be repaired by ETS for a minimal cost under most conditions.

Made in the USA

By

ETS Inc.