

# **ETS Inc. STW2-DM Two Way Monitoring Station Instructions**

---

The STW2-DM is a single zone 2-way Audio Surveillance monitoring station for use with all ETS speaker/microphones.

## **Speaker/microphone Placement**

Do not mount the HSM6-DP speaker microphone near light fixtures or electrical equipment. The HSM6-DP should be placed as close as possible to the subject(s) to be monitored for best performance of the microphone. The HSM6-DP's microphone is useable at distances of up to 25 feet but is dependent on the level of background noise in the area. Experimentation in the environment will determine what distances work best.

## **Cable Runs and connection to HSM6-DP**

Run 2 each 22 gauge, stranded, two conductor shielded cable between the HSM6-DP speaker microphone and the monitoring device. If you will be using a call switch, run an additional 2 conductor shielded cable. To avoid crosstalk issues, do not use a multiconductor shielded cable in place of the 3 cable runs. Keep the cable run distances at or under 500 feet and away from AC power sources, light fixtures and electrical equipment. See figure 1 for connecting the HSM6-DP to the STW2-DM base station. Contact ETS for connections to other models of ETS speaker microphones.

Note- If you are picking up radio stations or 60hz hum in the microphone, try Earth or electrical grounding the "com" terminal of the microphone pre-amplifier board. You can try this at the speaker microphone or STW2-DM or both.

## **Talking down to the remote Site**

Normally, the microphone from the remote site is heard on the STW2-DM speaker unless muted (talk lamp flashing). To speak, press and hold the orange talk button on the desktop mic, wait one second, then speak. The talk lamp will light solid. When you're finished talking, wait one second, then release the orange talk button.

## **Muting the STW2-DM speaker (remote microphone)**

The STW2-DM features an auto timed mute function or an operator initiated mute of the remote speaker. Auto mute happens when you stop pressing the orange button. After a period of time, set by the mute delay control on the front of the STW2, the microphone at the remote site is muted. If the control is adjusted fully clockwise, the remote mic will never be muted. Backing the control off to slightly past 3 O'clock will result in a 255 second (about 4 minutes) timed mute. To mute the remote mic instantly, quickly tap the orange talk button. When the remote mic is muted the talk LED will be flashing.

Note- whenever the operator releases the orange talk button, a quick succession of two tones will be heard on the remote speaker to inform the person at the remote site that the operator has finished speaking and is now listening.

## **External speaker**

Connecting a high quality external speaker to the STW2-DM can help improve the intelligibility of the remote microphone. The TR of the 3.5mm stereo jack is speaker + and the S is speaker -. A 4 or 8 ohm speaker should be used. When you plug a speaker into this jack, the internal speaker of the STW2-DM will be disabled. Our WS5 speaker is an excellent choice for an external speaker. You can also plug headphones into this jack.

## **Line Output**

Use this output to record, or monitor from another location, both sides of the conversation that is occurring on the system.

## **Remote Volume**

Use this control on the front of the STW2 to adjust the speaker volume at the Remote speaker location.

## **Mute delay**

Adjust this control from 3 to 255 seconds. Adjusted fully clockwise, no timed mute occurs. Adjust this control to slightly past the 3 O'clock position for a 255 second timed mute.

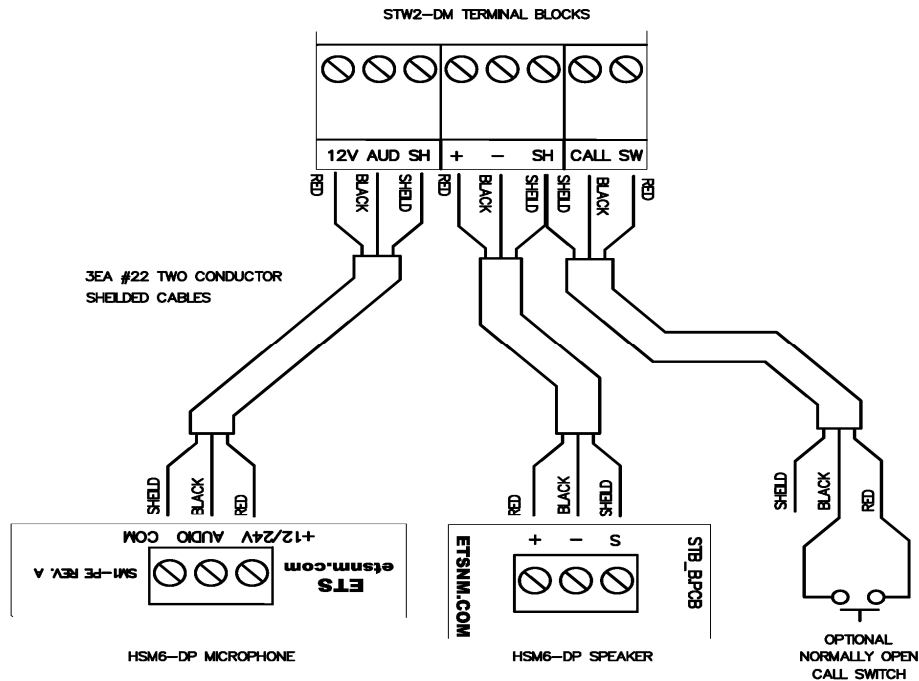
## **Optional Call Switch**

This input is designed to signal the operator that someone at the remote location wishes to speak. Every 30 seconds, a tone will be heard until the mic speak button of the desktop microphone is pressed. Connect a normally open switch to these terminals if you wish to use this function.

## Microphone Input

Connect only a TOA PM-660U dynamic microphone to this input. The make of the connector is Hirose and the part number for the connector is HR10A-7P-6P(73). This mic with connector installed, is available for purchase from ETS. If you wish to wire your own, the Pinout is:

1 (red: mic+) 2 (white: mic-) 3 (blue: sw) 4 (black: sw) 5 (shield) 6 (shield)



## Caution

It may be against the law to install this microphone kit in certain environments. It may also be against the law to record conversations of the person(s) being monitored without their knowledge. It is the responsibility of the installation company and end-user to determine if the application of this product is legal. These laws vary from state to state. If you are not informed on these matters, consult a qualified attorney or contact the appropriate state agency. A sticker is provided with this kit for the applications where notification must be posted.

## Warranty

All ETS products carry a one year parts and labor warranty. This warranty does not cover damages as a result of misuse, improper handling of the unit or exposure to extreme temperatures or moisture. At its discretion, ETS reserves the right to repair or replace this unit under the conditions of the warranty. If you experience problems with your equipment call ETS at: 505-888-3923 to obtain a return authorization number. Equipment requiring repair beyond the warranty period or units that have been damaged or are not covered under the warranty can be repaired by ETS for a minimal cost under most conditions.

Made in the USA  
by  
**ETS** Inc.