

O&M Module

SLR-MBOX-IN



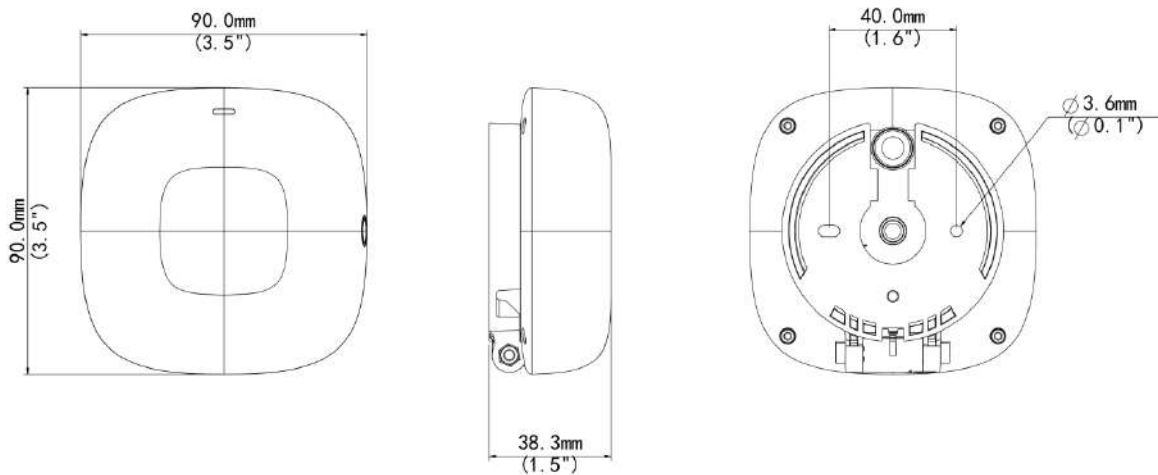
Features

- Allows to overlay the battery percentage OSD on the camera’s live video.
- Allows to be used with 4G cameras for surveillance applications in scenarios without power and network.

Specifications

Model	SLR-MBOX-IN
Specification	
Open circuit voltage	12V
Typical power consumption	0.84W
Maximum power consumption	2W
Input interface type	DC12V circular connector
RS485	Support
Reset button	Support
Indicator	Blinking green: Normal operation; Steady red: Network error
Operating temperature	-20°C to 45°C
Dimensions	90*90*38.3mm
Weight	150g

Dimensions



Zhejiang Uniview Technologies Co., Ltd.

No. 369, Xietong Road, Xixing Sub-district, Binjiang District, Hangzhou City, 310051, Zhejiang Province, China (Zhejiang) Pilot Free Trade Zone, China

Email: overseasbusiness@uniview.com; globalsupport@uniview.com

<http://www.uniview.com>

©2024-2025 Zhejiang Uniview Technologies Co., Ltd. All rights reserved.

*Product specifications and availability are subject to change without notice.

*Despite our best efforts, technical or typographical errors may exist in this document. Uniview cannot be held responsible for any such errors and reserves the right to change the contents of this document without prior notice.