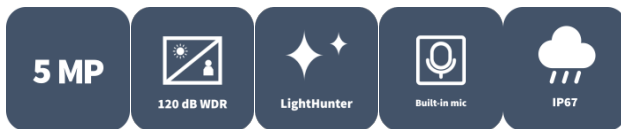


5MP LightHunter VF IR Dome Analog Camera UAC-D315-ADZLM



Overview

UAC-D315-ADZLM is a 5MP LightHunter VF IR dome analog camera with a high performance 1/2.7 inch CMOS sensor and 3D noise reduction technology. It supports TVI/AHD/CVI/CVBS, which effectively enhances product adaptability and diversity of networking solutions. With SYV 75 3 or other coaxial cable types, the camera can achieve low cost, long distance, and anti interference mega pixel HD video transmission without time delay. It supports IR cut filter with auto switch (ICR) and provides color images at daytime and black/white images at night. The camera also supports audio input and synchronous transmission of audio and video.

Features

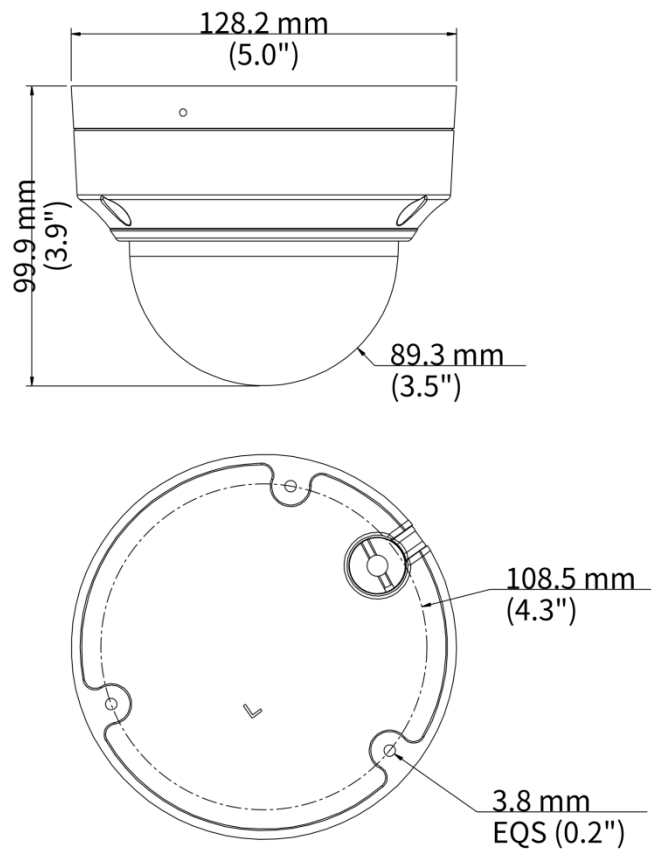
- High quality imaging with 5MP resolution
- 2.8mm-12mm motorized lens
- TVI/AHD/CVI/CVBS
- Supports IR cut filter with auto switch (ICR)
- LightHunter monitoring with high sensitivity sensor
- 3D noise reduction technology delivers clean and sharp images
- Supports 180° horizontal flip, 180° vertical flip
- OSD configuration menu, easy to operate
- Water and dust resistant (IP67) and vandal resistant (IK10)
- OSD configuration menu in 11 languages
- Built in microphone for high quality audio transmission via coaxial cables

Specifications

| Model | UAC-D315-ADZLM |
|------------------------------|---|
| Camera | |
| Max Resolution | 5 MP |
| Sensor Size | 1/2.7" CMOS |
| Min. Illumination | 0.005 lux (F1.6, AGC ON) 0 lux (IR on) |
| Lens | |
| Focus | 2.8 to 12 mm |
| Lens Mount | Φ14 |
| Angle of View (H) | 107.8° ~ 36.5° |
| Angle of View (V) | 58.5° ~ 20.5° |
| Angle of View (D) | 127.0° ~ 41.3° |
| Illuminator | |
| Illuminator Number | Two IR illuminators |
| Illumination Distance | 30m |
| Lifetime | ≥ 60000 hours |
| Video | |
| Resolution | 5MP@25fps: 2880(H)×1620(V); 5MP@20fps: 2592(H)×1944(V); 4MP: 2560(H)×1440(V) 1080P: 1920(H)×1080(V) |
| Frame Rate | CVI: 5MP@25fps (default), 5MP@20fps, 4MP@25fps, 4MP@30fps, 1080P@25fps, 1080P@30fps TVI: 5MP@20fps 4MP@25fps, 4MP@30fps, 1080P@25fps, 1080P@30fps AHD: 5MP@20fps, 4MP@25fps, 4MP@30fps, 1080P@25fps, 1080P@30fps CVBS: PAL, NTSC |
| Shutter Time | PAL: 1/25 s-1/50000 s, NTSC: 1/30 s-1/50000 s |
| Image | |
| Exposure Mode | Four modes: Global (default), BLC, HLC, WDR |
| Day/Night | Three modes: Auto (default), Day, Night |
| Digital Noise Reduction | 2D/3D |
| White Balance | Two modes: Auto (default), Manual |
| WDR | 120 dB WDR |
| Smart IR | Support |
| Flip | Supports 180°horizontal flip, 180°vertical flip |
| Digital Defog | N/A |
| Audio | |
| Built-in Mic | Support |
| Camera Audio | CVI: 5MP@25fps,5MP@20fps, 4MP@25fps, 4MP@30fps |
| Interface | |
| Power Interface | 5.5 mm Power Interface |
| Video Output | BNC, supports TVI/AHD/CVI/CVBS |
| Operating Environment | |

| | |
|----------------------|--|
| Temperature | -30 °C to 60 °C (-22 °F to 140 °F) |
| Humidity | ≤ 95% RH (non-condensing) |
| Surge Protection | 4 KV for power, 4 KV for video output interfaces |
| General | |
| Power | DC 12 V±25% |
| Power Consumption | MAX 4.7W |
| Mount | Wall Mount, Pole Mount, Corner Mount, Pendant Mount |
| Dimensions | Φ128 x 100mm (Ø5.0" x 3.9") |
| Material | Metal + Plastic |
| Weight | 530g(1.17lb) |
| OSD Menu Language | 11 Languages: English, German, Spanish (Latin America), French, Italian, Japanese, Korean, Polish, Portuguese (Brazil), Russian, Turkish |
| Certification | |
| EMC | CE-EMC (EN 55032, EN 61000-3-3, EN IEC 61000-3-2, EN 55035), FCC (FCC 47 CFR part15 B) |
| Safety | CE-LVD (EN 62368-1) |
| Environment | CE-RoHS (2011/65/EU; (EU) 2015/863); WEEE (2012/19/EU) |
| Protection | IP67 (IEC 60529), IK10 (IEC 62262) |

Dimensions



Accessories

TR-JB03-H-IN-V2

Junction Box for Metal Turret
Camera(Support wiring from behind)



TR-CM24-IN

Dome Pendant Mounting Bracket(Indoor)



TR-UC08-C-V2

Bullet&Dome Corner Mounting Bracket



PWR-DC1201A-UK

DC12V/1A Wall Plug British Standard
Power Adapter



PWR-DC1201B-US

UNV DC12V/1A Wall Plug American
Standard Power Adapter(Colorful Bag)



TR-UP06-IN

Universal Pole Mounting Bracket



TR-SE24-A-IN

Dome Pendant Mounting Pole 500mm



TR-JB07/WM03-F-IN-V2

Wall Mounting Assembling Bracket with
Back Hole for 3 Inch Hemisphere



PWR-DC1201B-UK

UNV DC12V/1A Wall Plug British Standard
Power Adapter(Colorful Bag)



PWR-DC1201A-EU

DC12V/1A Wall Plug European Standard
Power Adapter



TR-A01-IN

NPT 3/4" Waterproof Cable Gland



TR-SE24-IN

Dome Pendant Mounting Pole 200mm



TR-WM03-B-IN-V2

Wall Mounting Assembling Bracket for 3
Inch Hemisphere



PWR-DC1201A-US

DC12V/1A Wall Plug American Standard
Power Adapter



PWR-DC1201B-EU

UNV DC12V/1A Wall Plug European
Standard Power Adapter(Colorful Bag)



PWR-DC1201A-IND
UNV DC12V/1A Wall Plug Indian
Standard Power Adapter-Colorful Bag



Zhejiang Uniview Technologies Co., Ltd.



<http://www.uniview.com>



overseasbusiness@uniview.com; globalsupport@uniview.com



No. 369, Xietong Road, Xixing Sub-district, Binjiang District, Hangzhou City, 310051, Zhejiang Province, China



©2023-2025 Zhejiang Uniview Technologies Co., Ltd. All rights reserved.

*Product specifications and availability are subject to change without notice.

*Despite our best efforts, technical or typographical errors may exist in this document.

Uniview cannot be held responsible for any such errors and reserves the right to change the contents of this document without prior notice.