



Clarius® Perimeter Illuminators by GJD

GJD's Clarius® outdoor illuminator range includes IP connected Infra-Red and White-Light LED illuminators. The products incorporate the latest surface mount LED's, combined with enhanced optical output and outstanding reliability to provide the homeowner with smart lighting solutions for a wide range of applications.

Clarius lighting includes an interchangeable lens pack to deliver a variety of angles out of the box; this provides the homeowner with the flexibility to create different elliptical beam profiles to suit specific lifestyle requirements.

Applications:

- Set up ambient lighting for hosting events.
- Configure lights to switch on as soon as any motion is detected within the perimeter.
- Activate the White-Light strobe function to deter intruders.

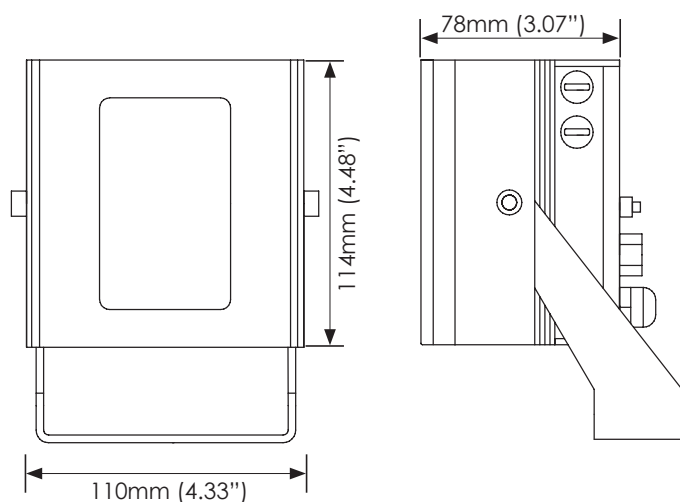
Integrations:

GJD's D-TECT IP enabled sensors seamlessly integrate with advanced security and home automation integrations.

PRODUCT CODES

VM-CW-IP White-Light Medium IP Illuminator

DIMENSIONS



We are continuously testing and updating our integration, so if you miss your favorite VMS or camera please email info@gjdusa.com



TECHNICAL SPECIFICATIONS

Product Code	Angle	Distance		FOV	
VM-CW-IP	10° - Circular	114m	374'	20m	65'
	20° - Elliptical	76m	249'	27m	88'
	30° - Elliptical	67m	218'	36m	117'
	60° - Elliptical	48m	156'	55m	180'
	80° - Elliptical	38m	125'	64m	209'
	95° - Elliptical	29m	94'	62m	204'

Medium Clarius IP White-Light LED Illuminator

CONSTRUCTION	Robust high quality aluminium extrusion
PHOTOCELL	Adjustable 20 - 70 Lux
ILLUMINATION	Adjustable 10% - 100%
OPERATING TEMPERATURE	-50° to 50°C (-58°F to 122°F)
MOUNT	Powder coated stainless steel wall mount
INPUT	PoE+ (IEEE802.3at)
CONSUMPTION	25W
IP RATING	IP66 in accordance with EN60529;1992
ELECTRONICS	High efficiency surface mount high power LED's with advanced, current limited, integral control circuitry
LUMEN OUTPUT	2400 lm
COLOUR TEMPERATURE	5700K (6000K and 6500K options available to order)
COLOUR RENDERING INDEX	Typ. 80
RECOMMENDED PSU	Any IEEE 802.3at Injector
REMOTE ACCESS	Web browser user interface. No software or installation needed

CERTIFICATIONS

WEEE

Waste Electrical & Electronic Equipment European Directive 202/96/EC

RoHS

Restriction Of Hazardous Substance European Directive 202/95/EC

CE-EMC

EN 61547
EN 55015
EN 55032, Class B
EN 55024
EN 62493
EN 50130-4

(Lighting-Immunity)
(Lighting-Emission)
(IT-Emission)
(IT-Immunity)
(Lighting-EMF)
(Alarm-EMC)

CE-LVD

EN 60598-1
EN 60598-2-1
EN 62368-1 / EN 60950-22

(Luminaires-General)
(Luminaires)

Safety

EN 62471

(LED safety)

LIGHTING OUTPUT

Lumen Output
Wavelength

2300lm
Visible Spectrum (400-750nm)

Colour Temperature
Colour Rendering Index

6500k
74-80+

Environmental

IEC/EN 60529

IP66

IEC/EN 62262
EN 50130-5

IK09
(Alarm-environmental)

N2580, EN 50581

(RoHS), REACH

USA

cULus

UL 2108
UL 8750
Class B

FCC

AUS

RCM (AS/NZS
CISPR 22 Class B)

