

VMGB-102

2MP Metadata Camera with Day/Night, IR LED, Built-in Face Recognition



- 2 Megapixel Metadata Camera
- Day & Night with IR LED
- Built-in Face Recognition
- Not available in the USA

► Specifications

Device

Product Type	Metadata Camera
Maximum Resolution	2MP
Product Application	Face Recognition
Application Environment	Indoor
Image Sensor	Progressive Scan CMOS
Sensor Size	1/2.8 "
Day / Night	Yes
Low Light Sensitivity	Superior
Mechanical IR Cut Filter	Yes
IR LED	Adaptive IR LED
IR Working Distance	10m
Electronic Shutter	1/25-1/100000 second (manual mode); 1/25-1/100000 second (auto mode)

Lens

Number of Lenses	2 Lenses
Focal Length	Fixed focal, f4.0mm
Aperture	F1.6
Horizontal Viewing Angle	85.7°

Video

Compression	H.265, H.264 (Baseline/ Main/ High profile)
Maximum Frame Rate vs. Resolution	30 fps at 1920 x 1080 30 fps at 1280 x 720
Multi-Streaming	Multiple streams
Bit Rate	32Kbps - 16Mbps (per stream)
Wide Dynamic Range	Superior WDR (120 dB)
Image Enhancement	Backlight compensation (BLC), White Balance, Brightness, Contrast, Saturation, Sharpness, Automatic gain control, Gyro-based Image Stabilizer, Defogging
Digital Noise Reduction	3D DNR
Privacy Mask	Yes
On-Screen Graphics	Yes
Counting Technology	3D
Built-in Analytics	Face Recognition, Tampering Detection
Image Orientation	Mirror

Audio

Audio Type	2-way, Line-in, Line-out
Audio Compression	G.711, G.722.1, G.726, MP2L2, PCM

Network

Ethernet Port	1 x RJ-45 connector
---------------	---------------------

Video Analytics

Analysis Source Type	Video
Metadata Accuracy	Good

Interface

Serial Port	1 x RS-485
Local Storage	MicroSD, MicroSDHC, MicroSDXC Memory Card Slot (card not included, up to 128GB)
Digital Input/Output	1/1

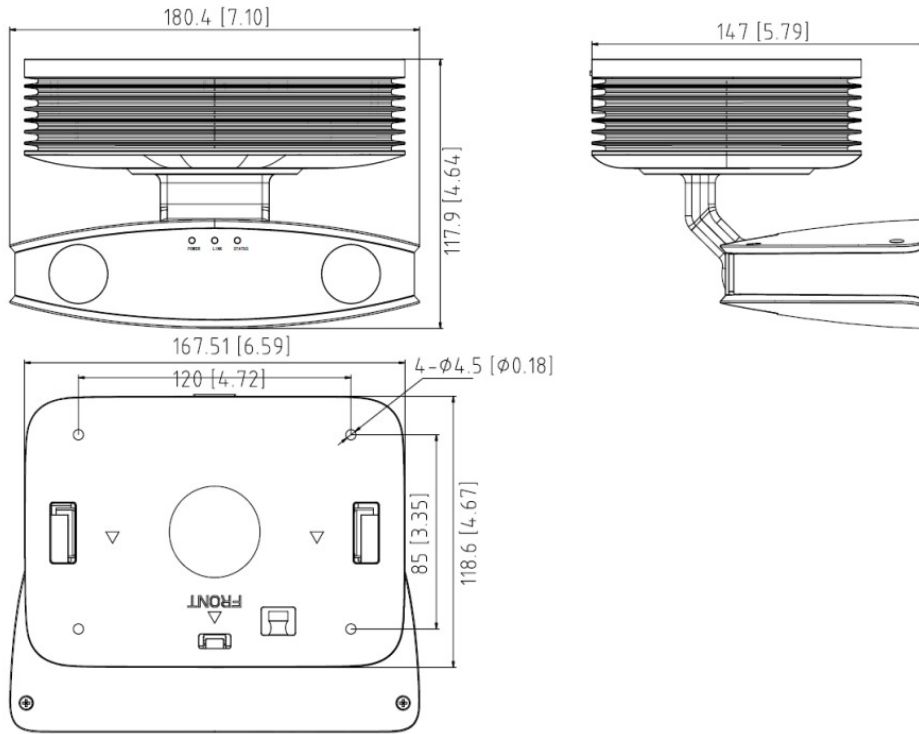
Installation

Distance to Target (People)	1.9m (6.23ft)
Installation Recommendation	Installation Height / Width of the Scene 1.8m(5.91ft) / 2.5m (8.20ft) 2.25m(7.38ft) / 2.5m (8.20ft)

General

Power Source	DC 36V (adapter not included)
Power Consumption	27 W (DC)
Weight	1481g (3.265lb)
Dimensions	(W x H x D): 180.4mm x 147mm x 117.9mm (7.10" x 5.79" x 4.64")
Operating Temperature	-10°C ~ 40°C (14°F ~ 104°F)
Warranty	3 Year(s). For extended warranty offering, see http://www.acti.com/support/warranty

► Dimension Diagram



Unit: mm [inch]

► Related Products

Power Supply Accessories - Power Adapter

PPBX-0017



Power Adapter AC 100~240V (36V Output) for VMGB-102