

VMGB-370

4MP Metadata Camera with Day/Night, IR LED, Human Temperature Detection



- 4 Megapixel Thermal and Optical Metadata Camera
- Day & Night with IR LED
- Human Temperature Detection
- Event trigger, response and notification

► Specifications

Device

Product Type	Metadata Camera
Maximum Resolution	4MP
Product Application	Human Temperature Detection
Application Environment	Outdoor
Image Sensor	Progressive Scan CMOS + Thermal sensor
Sensor Size	Optical: 1/2.7 "
Effective Pixels	Thermal: 160(H) X 120(V) Optical: 2688(H) X 1520(V)
Spectral Range	8-14μm
Thermal Sensitivity	NETD <40mK at F1.1
Spatial Resolution	5.48 mrad
Day / Night	Yes
Minimum Illumination	Color: 0.0089 lux at F1.6 (AGC on); B/W: 0 (IR LED on)
Mechanical IR Cut Filter	Yes
IR LED	Adaptive IR LED
IR Working Distance	40m
Electronic Shutter	1-1/100000 second (auto mode)

Lens

Number of Lenses	2 Lenses
Focal Length	(Thermal camera) Fixed focal, f3.1mm (Visual camera) Fixed focal, f4.0mm
Horizontal Viewing Angle	(Thermal camera) 50° (Visual camera) 84°
Vertical Viewing Angle	(Thermal camera) 37.2° (Visual camera) 44.8°

Video

Compression	H.265, H.264, MJPEG
Maximum Frame Rate vs. Resolution	(60Hz) 30 fps at 2688 x 1520 30 fps at 1920 x 1080 30 fps at 1280 x 720 30 fps at 704 x 480 30 fps at 352 x 240 30 fps at 176 x 120 (50Hz) 25 fps at 2688 x 1520 25 fps at 1920 x 1080 25 fps at 1280 x 720 25 fps at 704 x 576 25 fps at 352 x 288 25 fps at 176 x 144
Multi-Streaming	Simultaneous dual streams
Wide Dynamic Range	Superior WDR (120 dB)
Digital Noise Reduction	3D DNR
Built-in Analytics	Human Temperature Detection

Audio

Audio Type	2-way, Mic-in, Line-in, Line-out
Audio Compression	PCM, G.711 u-law, G.711 A-law, G.722.1, G.726, MP2L2

Network

Network Protocol & Service	IPv4/v6, TCP, UDP, DHCP, PPPoE, HTTP, HTTPS, DNS, DDNS, NTP, RTP, RTSP, RTCP, SMTP, FTP, IGMP, ICMP, UPnP, QoS, SNMP, IEEE 802.1X
Ethernet Port	1 x Ethernet (10/100 Base-T), RJ-45 connector
Security	IP address filtering, HTTPS encryption, Password protected user level, IEEE 802.1X network access control

Temperature Measurement

Temperature Range	30°C ~ 45°C (86°F ~ 113°F)
Temperature Accuracy	±0.5°C

Event

Event Trigger	Video motion detection, External device through digital input, Sound detection, Temperature Exception Detection (up to 10 points, 10 areas and 1 line)
Event Response	E-mail notification with snapshots, Save video to local storage, Upload snapshot to FTP server, Activate external device through digital output

System

Language	Multi-Language
----------	----------------

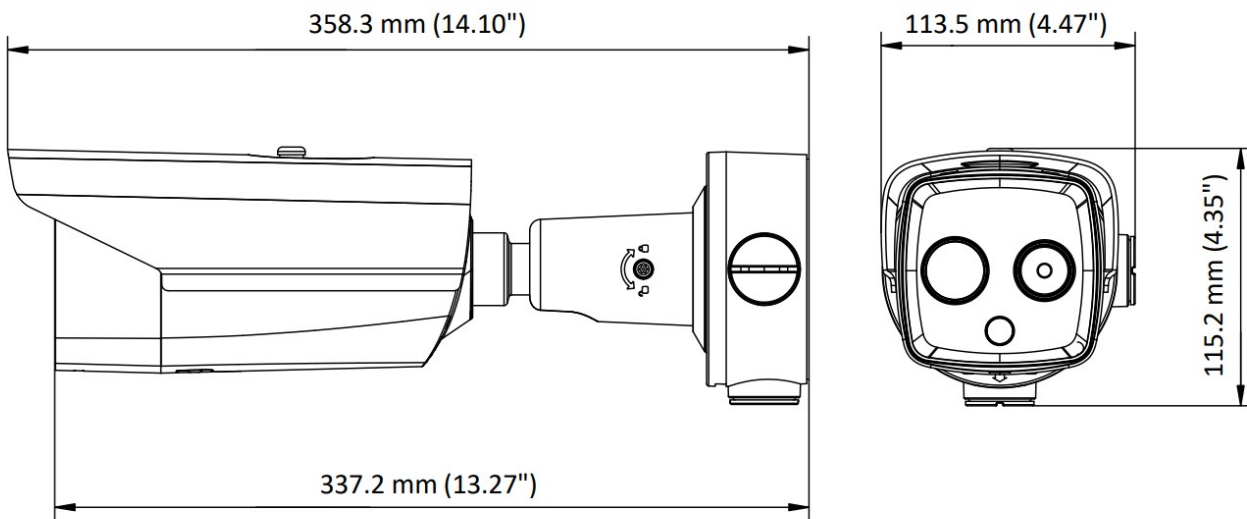
Interface

Audio Interface	1/1, 3.5mm Phone Jack
Local Storage	MicroSD, MicroSDHC, MicroSDXC Memory Card Slot (card not included, up to 128GB, Kingston or Sandisk only)
Digital Input/Output	2/2

General

Power Source	DC 12V, PoE Class 3 (IEEE802.3af)
Power Consumption	7.5 W (DC), 8 W (PoE)
Weight	1760g (3.88lb)
Dimensions	(W x H x D): 113.5mm x 115.2mm x 358.3mm (4.47" x 4.35" x 14.10")
Environmental Casing	Weatherproof (IP66)
Operating Temperature	10°C ~ 35°C (50°F ~ 95°F)
Operating Humidity	10% - 95% RH
Warranty	3 Year(s). For extended warranty offering, see http://www.acti.com/support/warranty


► Dimension Diagram




Unit: mm [inch]

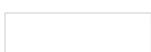
► Related Products

Bullet - Zoom Bullet

VMGB-410		2MP ALPR Metadata Camera with 4.3x Zoom lens, f2.8-12mm/F1.2-2.5 (HOV:114.5°-41.8°), P-Iris, H.265/H.264, 3D DNR, MicroSD/MicroSDHC/MicroSDXC, PoE/DC12V, IP67, IK10 (metal casing), DI/DO, Built-in Analytics
----------	---	--

Bullet - Thermal Bullet

VMGB-359		4MP Optical and Thermal Metadata Camera with Fixed lenses, f8.0mm (optical), f6.2mm (thermal), H.265/H.264, 3D DNR, Audio, MicroSD/MicroSDHC/MicroSDXC, PoE/DC12V, IP66, DI/DO, RS-485, Built-in Analytics
----------	---	--



VMGB-371



4MP Human Temperature Detection Metadata Camera with f4.0mm (optical), f3.1mm (thermal), H.265/H.264, 3D DNR, Audio, MicroSD/MicroSDHC/MicroSDXC, PoE/DC12V, IP66, DI/DO, RS-485

Dome - Zoom Dome

VMGB-605



4MP Face Recognition Metadata Camera with 4x Zoom lens, f8-32mm/F1.7-1.73 (HOV:42.5°-15.1°), P-Iris, H.265/H.264, 3D DNR, Built-in Microphone, MicroSD/MicroSDHC/MicroSDXC, PoE/DC12V/AC24V, IK10, DI/DO, RS-485, Built-in Analytics

VMGB-606



4MP Face Recognition Metadata Camera with 4.3x Zoom lens, f2.8-12mm/F1.2-2.5 (HOV:114.5°-41.8°), P-Iris, H.265/H.264, 3D DNR, Built-in Microphone, MicroSD/MicroSDHC/MicroSDXC, PoE/DC12V/AC24V, IK10, DI/DO, RS-485, Built-in Analytics

VMGB-607



4MP Face Recognition Metadata Camera with 4x Zoom lens, f8-32mm/F1.6 (HOV:42.5°-14°), P-Iris, H.265/H.264, 3D DNR, Built-in Microphone, Speaker, MicroSD/MicroSDHC/MicroSDXC, PoE/DC12V/AC24V, DI/DO, RS-485

VMGB-608



4MP Face Recognition Metadata Camera with 4.3x Zoom lens, f2.8-12mm/F1.2 (HOV:107.4°-39.8°), P-Iris, H.265/H.264, 3D DNR, Built-in Microphone, Speaker, MicroSD/MicroSDHC/MicroSDXC, PoE/DC12V/AC24V, DI/DO, RS-485

Power Supply Accessories - Power Adapter

PPBX-0015



Power Adapter AC 100~240V (12V/2A Output), with universal connectors for R21CF-xx