

VMGB-400

2MP Metadata Camera with Day/Night, IR LED, Automatic License Plate Recognition



- 2 Megapixel Metadata Camera
- Day & Night with IR LED
- Automatic License Plate Recognition

► Specifications

Device

Product Type	Metadata Camera
Maximum Resolution	2MP
Product Application	Automatic License Plate Recognition
Application Environment	Outdoor
Description	Wide Angle Camera Built-in Deep learning-based ALPR with working for car speed <60km/h. (Available for cars in Taiwan)
Image Sensor	Progressive Scan CMOS
Sensor Size	1/1.8 "
Day / Night	Yes
Low Light Sensitivity	Superior
Minimum Illumination	Color: 0.001 lux at F1.2 (AGC on); B/W: 0.0003 (AGC on)
Mechanical IR Cut Filter	Yes
IR LED	Adaptive IR LED (850 nm)
IR Working Distance	50m
Electronic Shutter	1-1/100000 second (auto mode)

Lens

Focal Length	Zoom, f2.8-12mm
--------------	-----------------

Aperture	F1.2-F2.5
Zoom Ratio	4.3x optical zoom
Iris	P-Iris
Focus	Auto focus
Lens Mount	Board mount
Horizontal Viewing Angle	107.3° - 39.8°
Vertical Viewing Angle	55.9° - 22.3°

Video

Compression	H.265, H.264 (Baseline/ Main/ High profile), MJPEG
Maximum Frame Rate vs. Resolution	60 fps at 1920 x 1080 60 fps at 1280 x 720 30 fps at 704 x 480 30 fps at 640 x 480
Multi-Streaming	Simultaneous 5 streams
Bit Rate	32Kbps - 16Mbps (per stream)
Wide Dynamic Range	Extreme WDR (140 dB)
Image Enhancement	Defogging, Digital Image Stabilizer (DIS, EIS)
Digital Noise Reduction	3D DNR
Built-in Analytics	Automatic License Plate Recognition, Object Line Crossing Detection, Object Enter Area Detection
Image Orientation	Rotation (Corridor mode)

Network

Ethernet Port	1 x Ethernet (10/100/1000 Base-T), RJ-45 connector
---------------	--

Video Analytics

Vehicle Type	Cars
Analysis Source Type	Video
Metadata Accuracy	Good

Integration

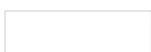
ONVIF Compliant	Yes, Profile S, Profile G
Supported Countries	Taiwan

Interface

Analog Video Output	1 x CVBS, BNC connector
Local Storage	MicroSD, MicroSDHC, MicroSDXC Memory Card Slot (bundled 64GB SD card; support for up to 256GB)
Digital Input/Output	2/2

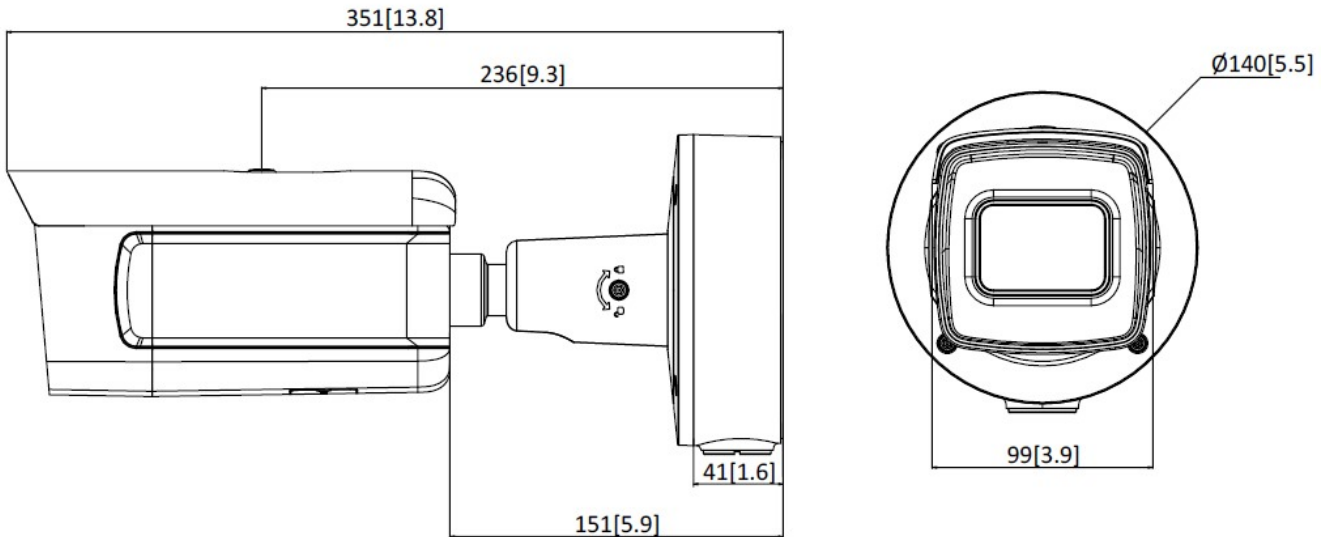
General

Power Source	DC 12V, High PoE (IEEE802.3at)
Power Consumption	16 W (DC), 18 W (PoE)
Weight	1920g (4.2lb)



Dimensions	(Ø x L): 140mm x 351mm (5.5" x 13.8")
Environmental Casing	Weatherproof (IP67), Vandal proof metal casing (IK10)
Heater	Yes
Operating Temperature	-40°C ~ 60°C (-40°F ~ 140°F)
Warranty	3 Year(s). For extended warranty offering, see http://www.acti.com/support/warranty


► Dimension Diagram



Unit: mm [inch]

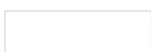
► Related Products

Bullet - Zoom Bullet

VMGB-410		2MP ALPR Metadata Camera with 4.3x Zoom lens, f2.8-12mm/F1.2-2.5 (HOV:114.5°-41.8°), P-Iris, H.265/H.264, 3D DNR, MicroSD/MicroSDHC/MicroSDXC, PoE/DC12V, IP67, IK10 (metal casing), DI/DO, Built-in Analytics
----------	---	--

Dome - Zoom Dome

VMGB-605		4MP Face Recognition Metadata Camera with 4x Zoom lens, f8-32mm/F1.7-1.73 (HOV:42.5°-15.1°), P-Iris, H.265/H.264, 3D DNR, Built-in Microphone, MicroSD/MicroSDHC/MicroSDXC, PoE/DC12V/AC24V, IK10, DI/DO, RS-485, Built-in Analytics
VMGB-606		4MP Face Recognition Metadata Camera with 4.3x Zoom lens, f2.8-12mm/F1.2-2.5 (HOV:114.5°-41.8°), P-Iris, H.265/H.264, 3D DNR, Built-in Microphone, MicroSD/MicroSDHC/MicroSDXC, PoE/DC12V/AC24V, IK10, DI/DO, RS-485, Built-in Analytics
VMGB-607		4MP Face Recognition Metadata Camera with 4x Zoom lens, f8-32mm/F1.6 (HOV:42.5°-14°), P-Iris, H.265/H.264, 3D DNR, Built-in Microphone, Speaker, MicroSD/MicroSDHC/MicroSDXC, PoE/DC12V/AC24V, DI/DO, RS-485



VMGB-608



4MP Face Recognition Metadata Camera with 4.3x Zoom lens, f2.8-12mm/F1.2 (HOV:107.4°-39.8°), P-Iris, H.265/H.264, 3D DNR, Built-in Microphone, Speaker, MicroSD/MicroSDHC/MicroSDXC, PoE/DC12V/AC24V, DI/DO, RS-485

Power Supply Accessories - Power Adapter

PPBX-0015



Power Adapter AC 100~240V (12V/2A Output), with universal connectors for R21CF-xx

Power Supply Accessories - PoE Injector

PPOE-0101



High PoE Injector IEEE 802.3at compliant, AC 100~240V, with universal connectors (for A416, A418, B913, B923, B934, Q450, Q75, VMGB-400, VMGB-603, VMGB-604, Z36, Z37, Z71, Z710, Z952)

PPOE-0106



High PoE Injector IEEE 802.3at compliant, AC 100~240V, with universal connectors (for A416, A418, B913, B923, B934, Q450, Q75, VMGB-60X, Z37, Z71, Z952)