

Vi22001

Single Port 90W Midspan

Features

- Single port 90W midspan for 10/100/1000Base-T networks
- Compliant with 802.3af/at PoE standards up to 90W
- Delivers up to 90W PoE power for high power applications such as PTZ domes and high PoE cameras
- Complies with 802.3 safety standards for automatic detection and over-current protection
- Built-in PoE surge protection
- Ideal for powering high data rate and high power for Megapixel IP camera applications
- Operates at extended temperature range -20°C to +60°C
- Tested to RFC 2544 packet transmission standards
- Compact design



Applications

- Local PoE source for IP cameras
- Cost effective solution for applications using non-PoE network switch
- Powering all types of PoE powered IP equipment
- Complies to know standards for IEEE 802.3bt for LED Lighting and high power applications
- Powers PTZ domes requiring 60W and PoE Lighting conforming to IEEE 802.3bt

The MaxiiPower Model Vi22001 is a unique Single port PoE Midspan designed for the most demanding power applications of 10/100/1000 Base-T networks. With the ability to provide up to 90W PoE power, it is the most cost effective method for powering PTZ domes cameras with heaters and blowers. The Midspan is compliant IEEE 802.3af, IEEE 802.3at up to 90W PoE applications.

The Vi22001 can virtually meet requirements of any high power PoE application. Its unique internal control system enables it to handle both single PD and dual PD PoE devices.

The Midspan is equipped with LEDs to provide power status. No IP setting or configurations are required and it is completely transparent to the Ethernet network and higher layer protocols.

The Vi22001's wide operating temperature and its compact size makes it an ideal Midspan to be used in most environmental enclosures.

Technical Specification*

Electrical

Ethernet Interface	Standard 10/100/1000 BaseTX
UTP	Category-5 (or higher)
AC Input Power	90-264VAC @ 1.1A Max, 50-60 Hz
Output Power	90W @ 56 VDC
PoE Standards	IEEE 802.3af IEEE 802.3at up to 90W
Status LEDs	Power: Green PoE On: Green
Connectors	Input Interface: Shielded RJ-45 Output Interface: Shielded RJ-45 Main Power: IEC 320-C14 inlet

Regulatory

Safety	CE
Environmental	RoHS, WEEE

Environmental

Humidity	0 to 90%, non-condensing
Temperature	Operating: -20°C to +60°C Storage: -40°C to +70°C

Mechanical

Dimensions	2x3.75x5.71 in., 5.1x9.5x15.5 cm (HxWxL)
Weight	1.58 lb (720 g)
Material	Extruded Aluminum

Included Accessories

- Molded IEC 7 ft. (200 cm) power cord
- Mounting clips

*Specifications subject to change without notice.

Ordering Information

Part No. Description

Vi22001	Single Port 90W PoE Midspan
---------	-----------------------------

Related Products

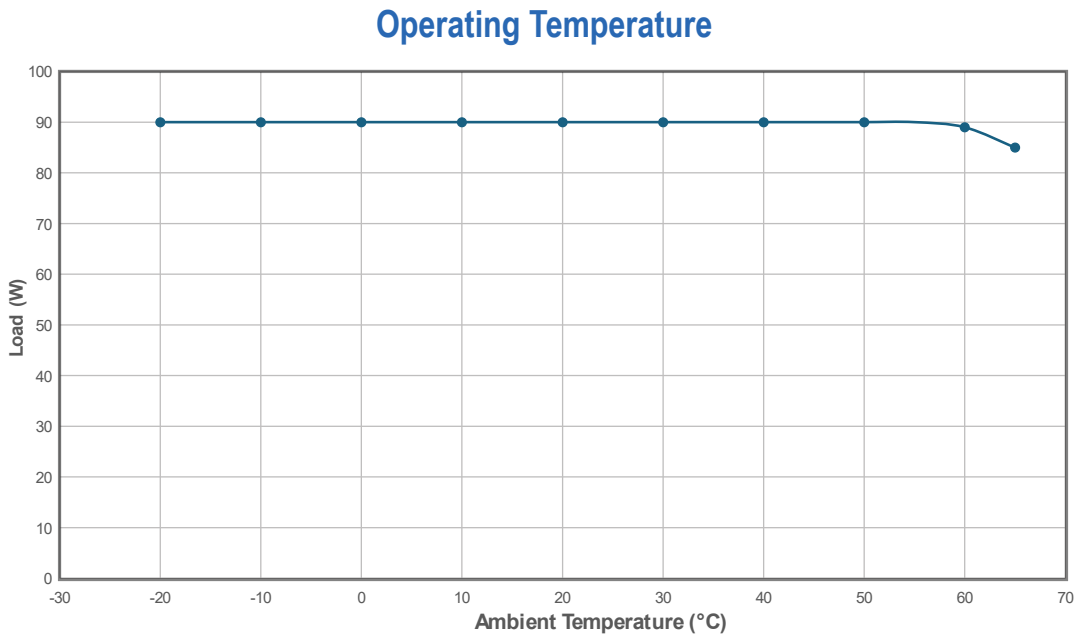
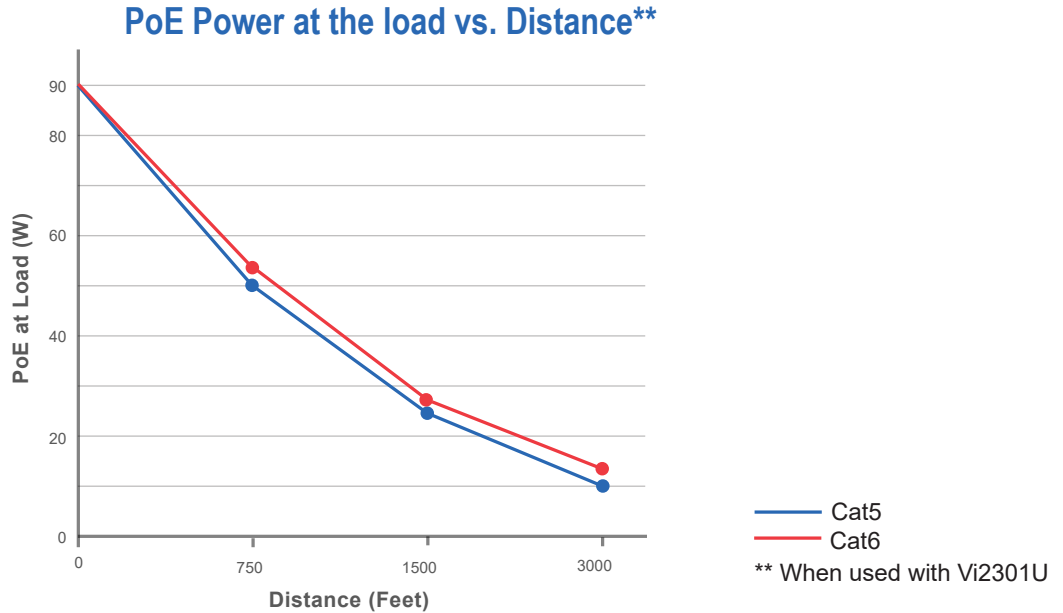
Part No. Description

Vi2201	30W PoE Midspan
Vi22001U	Single Port 90W .bt PoE Midspan
Vi22401	60W PoE Midspan
Vi22601	60W PoE Midspan with DC Input
Vi22501	30W PoE Midspan with DC Input

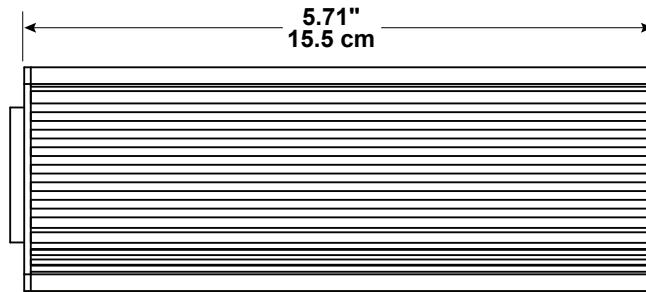


Technical Specification*

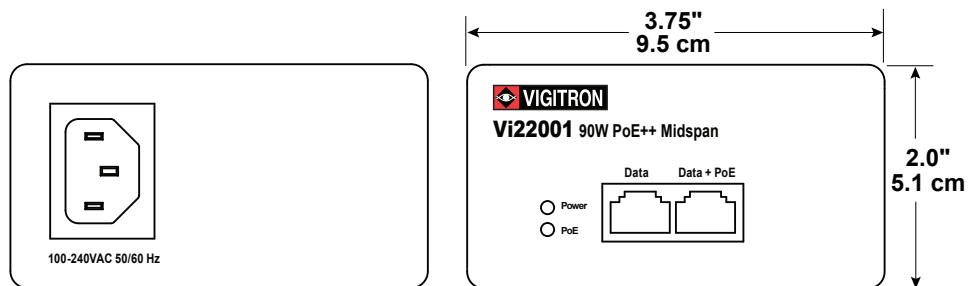
The Vi22001 can be used along with extenders to power PoE powered devices at long distances. The following chart shows the how much power can be available at extended distances:



Mechanical Drawings



Side View

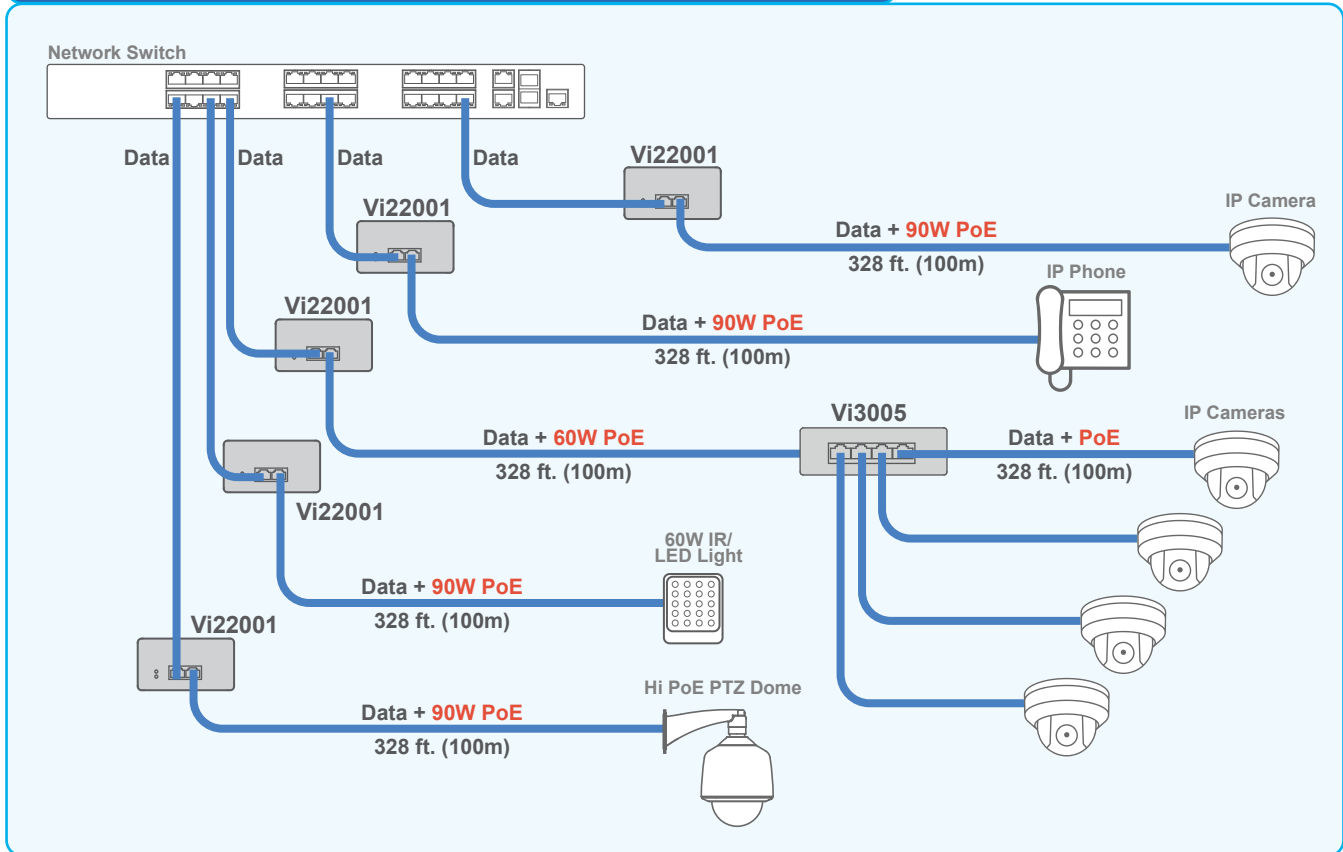


Right View

Left View

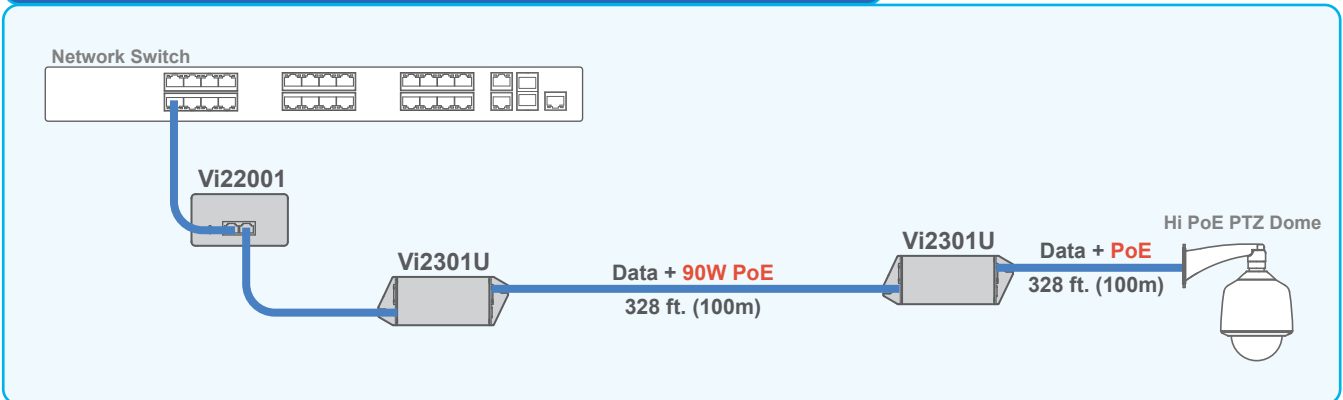
Application Diagrams

Powering PoE devices at standard and Extended Distances



The Vi22001 can be used to provide power to a wide variety high PoE power PoE powered devices with Single or Dual PDs.

Powering High power PoE devices at Extended Distances



The Vi22001 can be used along with extenders to provide power to PoE powered devices at long distances.