

Vi2202

MaxiiPower™ Dual Port 60W PoE++ Midspan

Features

- 2-port IEEE 802.3.af/at/60W compliant POE for 10/100/1000 Base-T networks
- Built-in 65W universal power supply
- Delivers up to 32W per port simultaneously on both ports or 64W on a single port
- Delivers up to 60W per port simultaneously on both ports when used with Vi1120
- Automatically senses PD power class and single or dual PD devices.
- UPoE power to 60 watts on both ports
- Status LEDs indicate power on each port
- Provide high data rate and high power, ideal for Mega-pixel cameras
- Fully transparent to Ethernet networks and higher layer protocols
- Type tested to RFC 2544 TCP/IP network bandwidth packet transmission standards
- Provides input connector for external Vi1120 power supply
- Compact design
- Limited lifetime warranty



Applications

- Powering two high power PoE cameras greater than 802.3at (30W)
- Powering remote PoE switches
- Ideal for high power applications such as PTZ cameras, IR Illuminators and VoIP

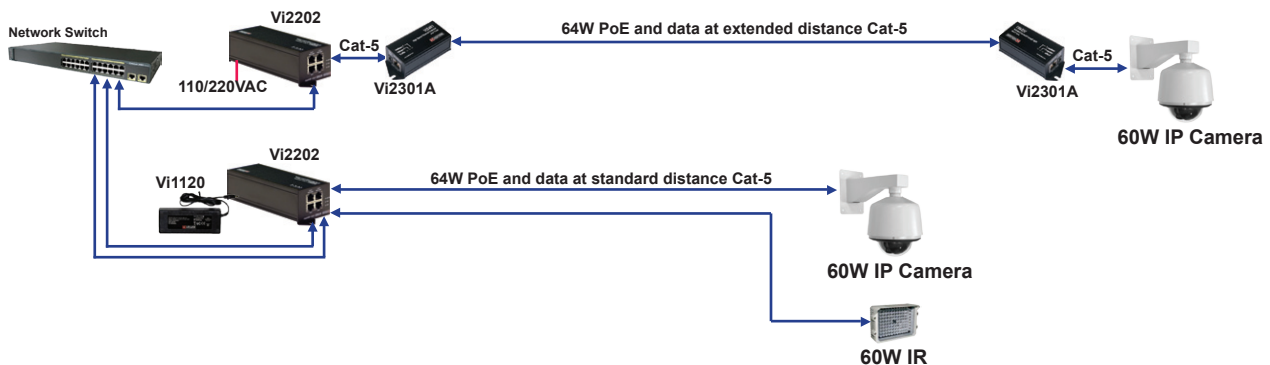


Vigatron's Vi2202 is a unique two port PoE Midspan designed for the most demanding power applications of 10/100/1000 Base-T networks. With the ability to provide up to 65W per port, it is the most cost effective method for powering PTZ domes cameras with heaters and blowers.

The Vi2202 can virtually meet requirements of any high power PoE application. Its unique internal control system enables it to handle both single PD and dual PD PoE cameras. A highly reliable internal power supply can provide up to 65W shared between 2 ports. For applications requiring 2 ports of PoE++, it can be used with with Vigatron's Vi1120 external power supply to provide up to total 120W PoE power. Conforms to UPoE power requirements.

The Vi2202's compact design dual channel design is smaller, lighter and easier to fit in environmental enclosures than most single channel power supplies.

Application Diagram



Technical Specification

Electrical

Ethernet Interface	Standard 10/100/1000 BaseTX
UTP	Category-5 (or higher)
Output Power	64W aggregated stand alone @ 52 VDC 120W aggregated w/Vi1120 external power supply@57 VDC
AC Input Power	90-264VAC, 50-60 Hz
PoE Standards	802.3af 802.3at UPoE
Status LEDs	Power: Green LED PoE On: Green
Connectors	Input Interface: Shielded RJ-45 Output Interface: Shielded RJ-45 Main Power: IEC 320-C14 inlet External Power Supply: Round 2.5mm Connector

Regulatory

Safety	CE, UL, cUL
Environmental	RoHS, WEEE

Environmental

Humidity	0 to 90%, non-condensing
Temperature	Operating: -20°C to +50°C Storage: -30°C to +70°C

Mechanical

Dimensions	1.87x2.56x6.17 in., 4.7x6.5x15.3 cm (HxWxL)
Weight	0.95 lb (430 g)
Material	Extruded Aluminum

Included Accessories

Molded IEC 7 ft. (200 cm) power cord

Ordering Information

Part No.	Description
Vi2202	Dual port High-Power PoE ++ Midspan

System Configuration

