

Vi22401U

Single Port 60W IEEE 802.3bt PoE Midspan

Features

- Single port IEEE 802.3.af/at/bt PoE class 0-6
- Compliant to 10/100/1000 Base-T devices
- Built-in 65W universal power supply
- Automatically senses single or dual PD devices
- Complies with IEEE 802.3 safety standards for automatic detection and over-current protection
- Built-in PoE surge protection
- Provides high data rate and power for Megapixel IP camera applications
- Tested to RFC 2544 packet transmission standards
- Compact design



Applications

- PoE source for IEEE standard PoE devices up to 60W
- Compatible with devices using UPoE
- Cost effective solution for applications using non-PoE network switch

Vigtron's MaxiiPower™ Vi22401U is a high power single port Midspan compliant to IEEE 802.3af, at, bt classes 0-6 up to 60W. It is a cost effective solution for powering a wide range of IP cameras that offers all standard PoE safety features including detection, connection/disconnection and fault protection. With a transmission bandwidth of up to 1Gbps, its application has virtually no bandwidth limitations and interfaces with the highest megapixel cameras.

The Vi22401U includes a 65W built-in power supply. The size and operating temperature range of -20°C to 60°C make it the perfect solution for outdoor applications using environment enclosures. It provides a wide operating temperature range that meets the requirements for outdoor operation in weatherproof enclosures.

The Vi22401U is designed to power all current IEEE PoE standards and most previous non-standard high power PoE devices with both single PD and dual PDs requiring up to 60W.

Technical Specification*

Electrical

Ethernet Interface	Standard 10/100/1000 BaseTX
UTP	Category-5 (or higher)
Output Power	60W @ 54VDC
AC Input Power	90-264VAC, 50-60 Hz
PoE Standards	IEEE 802.3af IEEE 802.3at IEEE 802.3bt class 0-6 up to 60W
Status LEDs	Power: Green LED PoE On: Green
Connectors	Input Interface: Shielded RJ-45 Output Interface: Shielded RJ-45 Main Power: IEC 320-C14 inlet

Regulatory

Safety	CE
Environmental	RoHS, WEEE

Environmental

Humidity	0 to 90%, non-condensing
Temperature	Operating: -20°C to +50°C Storage: -30°C to +70°C

Mechanical

Dimensions	1.87x2.56x6.17 in., 4.7x6.5x15.3 cm (HxWxL)
Weight	0.95 lb (430 g)
Material	Extruded Aluminum

Included Accessories

Molded IEC 7 ft. (200 cm) power cord

*Specifications subject to change without notice.

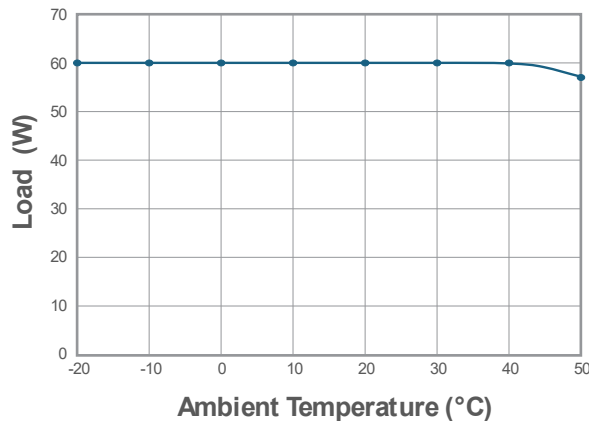
Ordering Information

Part No.	Description
Vi22401U	Single port 60W PoE Midspan

Related Products

Part No.	Description
Vi22000U	Single port 90W PoE Midspan

Operating Temperature

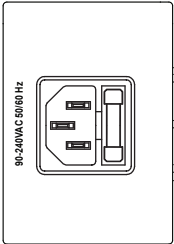


TEL (+1) 858-484-5209 • FAX (+1) 858-484-1205

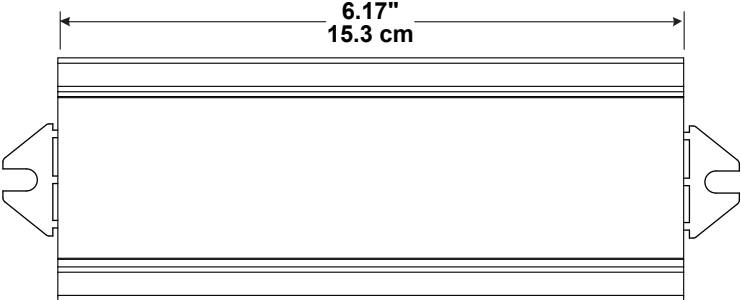
7810 Trade Street, Suite 100, San Diego, CA 92121, USA • support@vigatron.com • www.vigatron.com

© Copyright 2024 Vigatron, Inc.

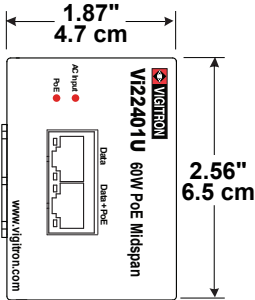
Mechanical Drawings



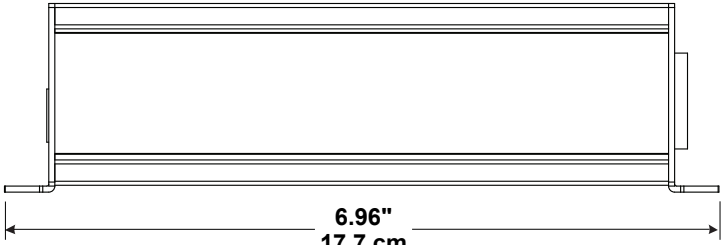
Right View



Top View



Left View



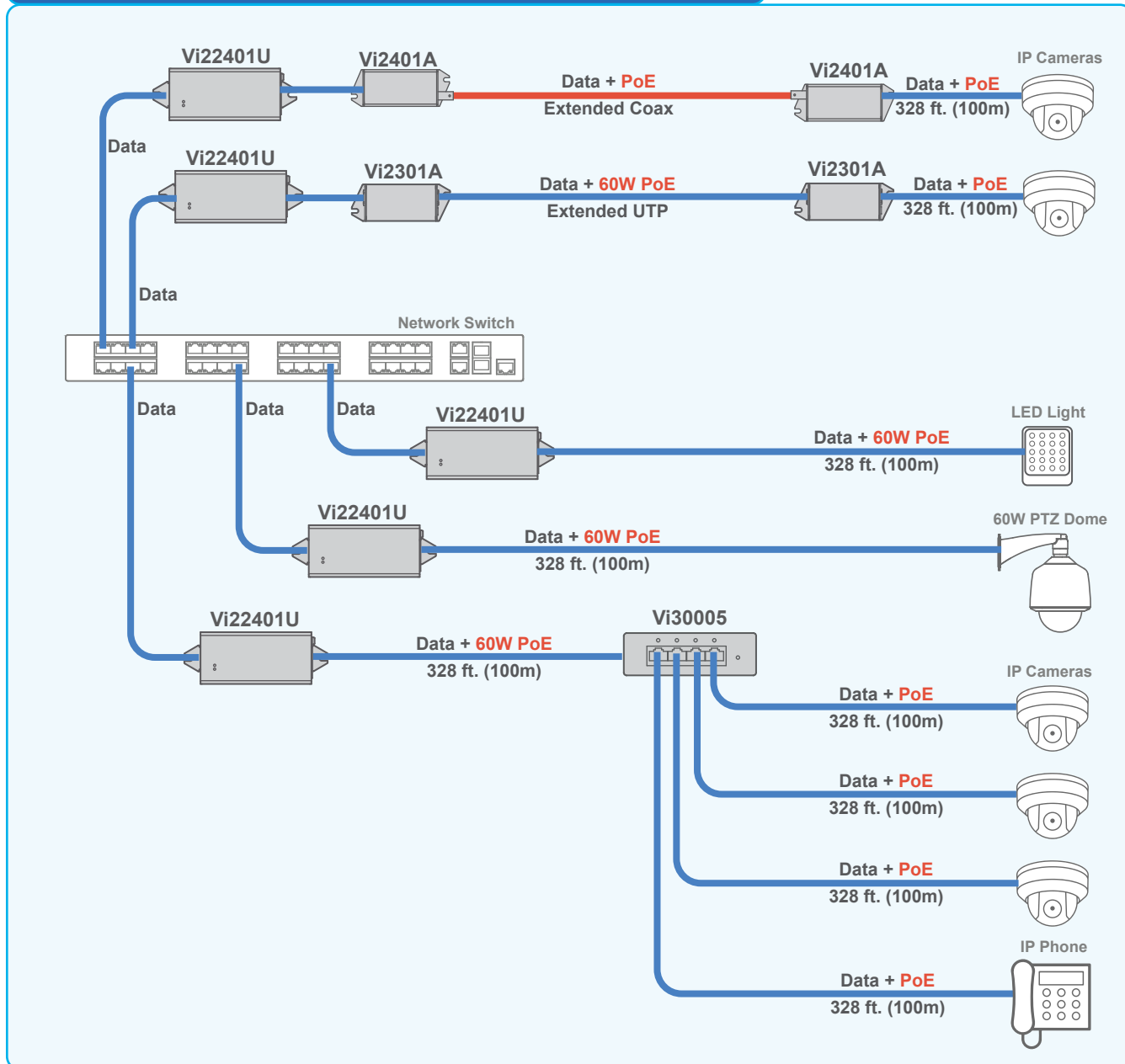
Bottom View



Application Drawings



Powering PoE devices at standard and extended distances



The Vi22401U can power a wide range of IEEE standard PoE devices at standard and extended distances up to 60W.

Free Design Services

Vigtron offers free and without obligation network design services and technical support. Please contact us at support@vigtron.com for network designs specific to you application.

