

Smart IoT Box

WI-IOTBOX01 | WI-IOTBOX02

Overview

Wi-Tek's Smart IoT Box is an all-weather outdoor electrical equipment protection box designed for outdoor use in the outdoor environment. It has waterproof, dustproof, heat dissipation, anti-ultraviolet, anti-theft, anti-rust, acid and alkali corrosion, anti-electromagnetic interference (anti-lightning EMP), modular structure design in the box, electrical equipment can be installed vertically or horizontally according to the situation. Work with Wi-Tek Industrial Switch, 4G Cat6 LTE CPE, Solar UPS PoE Switch, Industrial IoT M2M Gateway, and Mesh AP can fit your CCTV/WLAN Wi-Fi Coverage/Industrial IoT Application requirements. Flexible modular installation can decrease your project deployment cost.

Features



Rainproof



Heat Dissipation



Firm Structure



Modular Installation



Lightning Protection



Dustproof



Anti-corrosion



WI-IOTBOX01

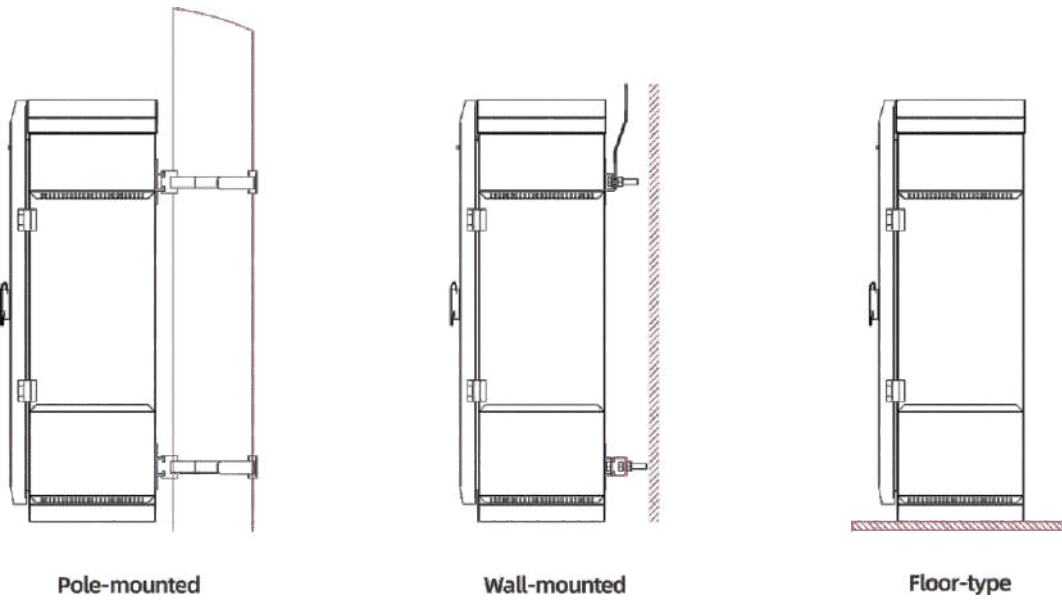


WI-IOTBOX02

Specifications

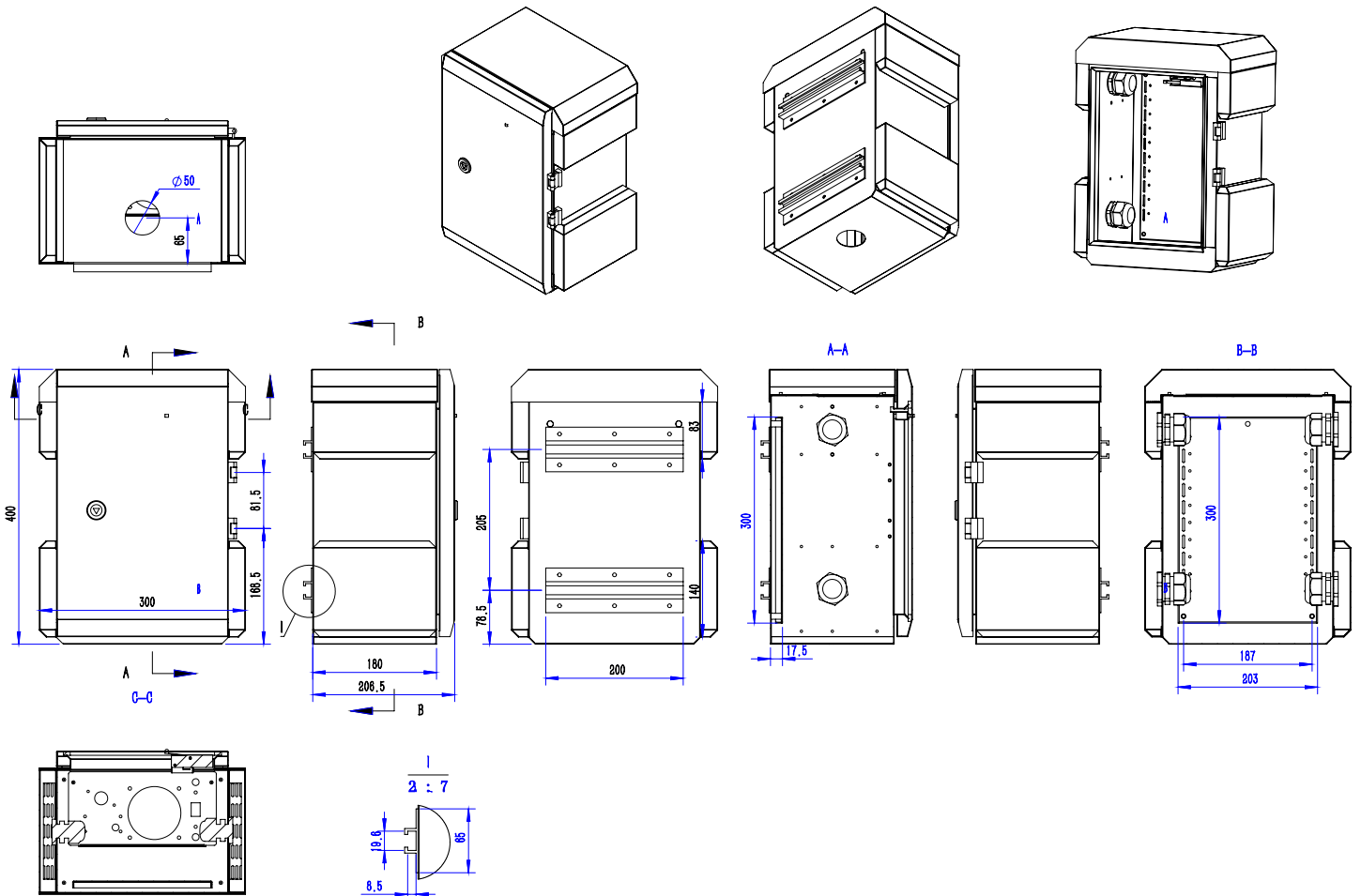
Products	WI-IOTBOX01	WI-IOTBOX02
Dimensions		
Overall Size (W*H*D)	300*400*200mm	400*600*250mm
Inner Size(W*H*D)	250*350*190mm	350*560*240mm
Weight(kg)	10	15.8
Standard Parameter		
Thickness	1.2mm	
Material	SUS/Stainless Steel	
Color	Light Grey + Grey	
Protect Level	IP66, IK10	
Door	1	
Electrical Install	WI-IOTBOX02 Plate*3	
Surface Treatment	Electrostatic Spraying	
Installation	Junction, Distribution, Electrical, Battery, Control, Monitoring etc. Outdoor waterproof Enclosure Box	

Structure Diagram

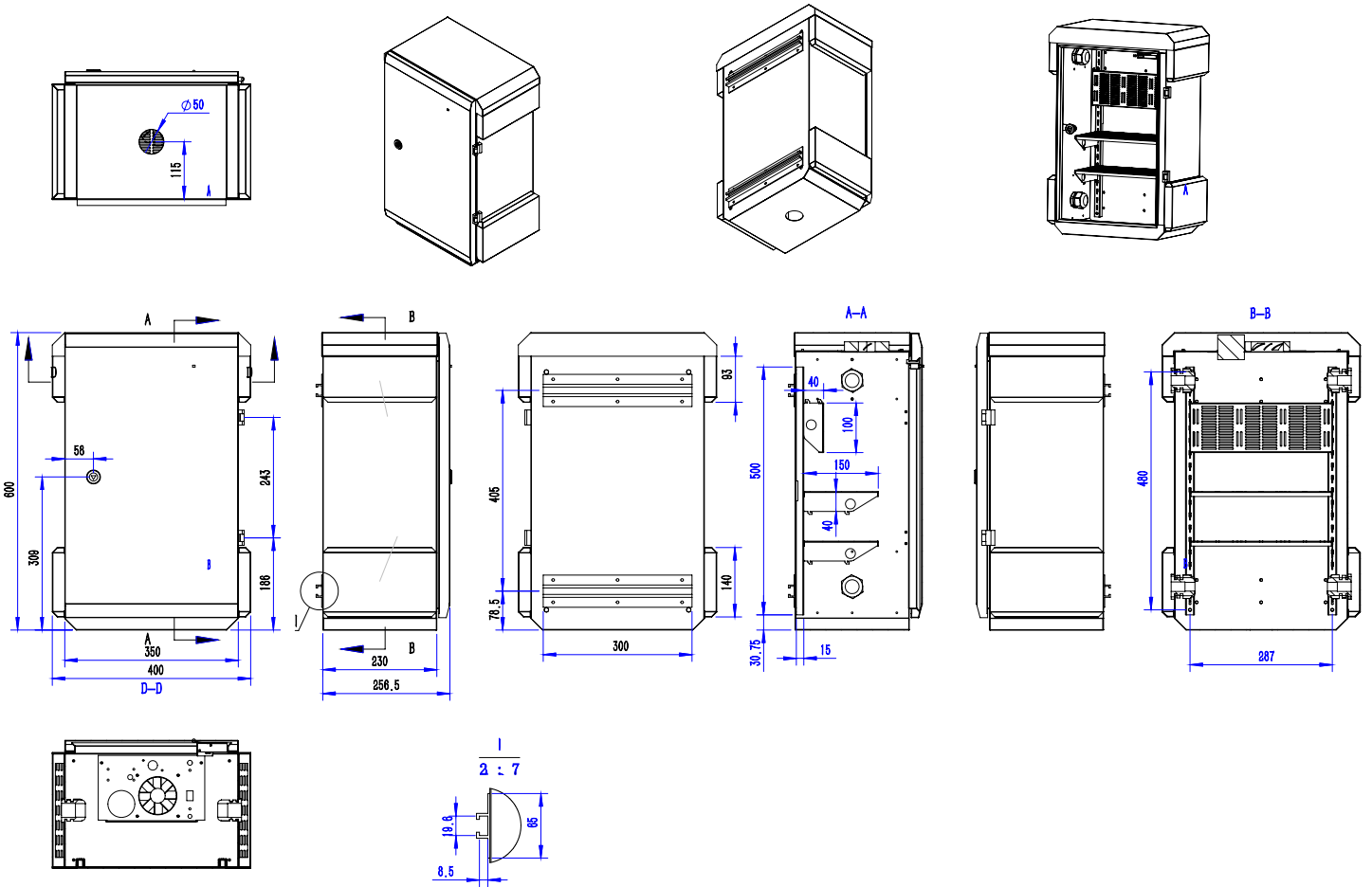


Different installation parts can be purchased for pole, wall or floor installation. The same box can meet the construction needs of different installation scenarios at the same time.

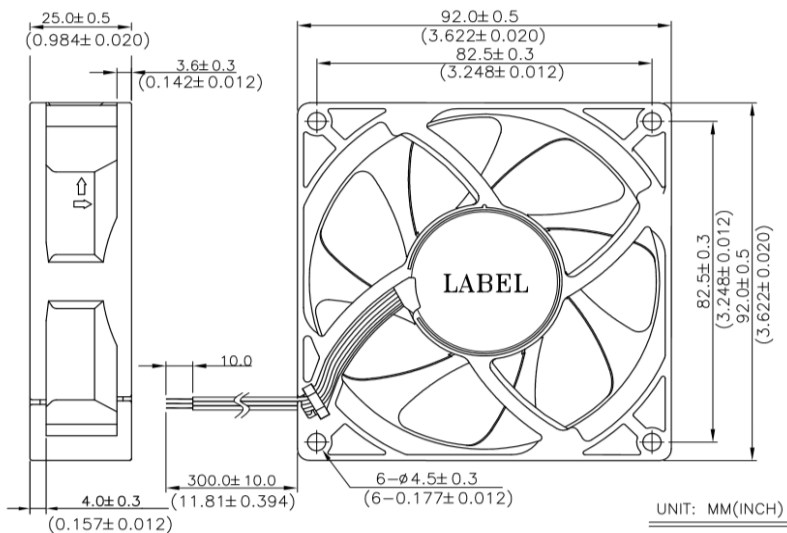
WI-IOTBOX01



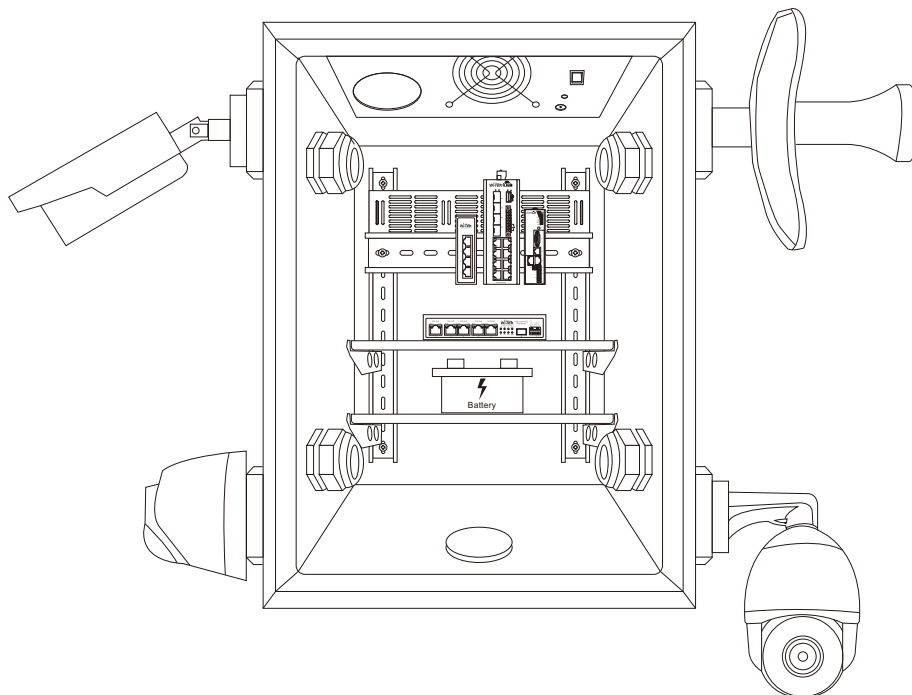
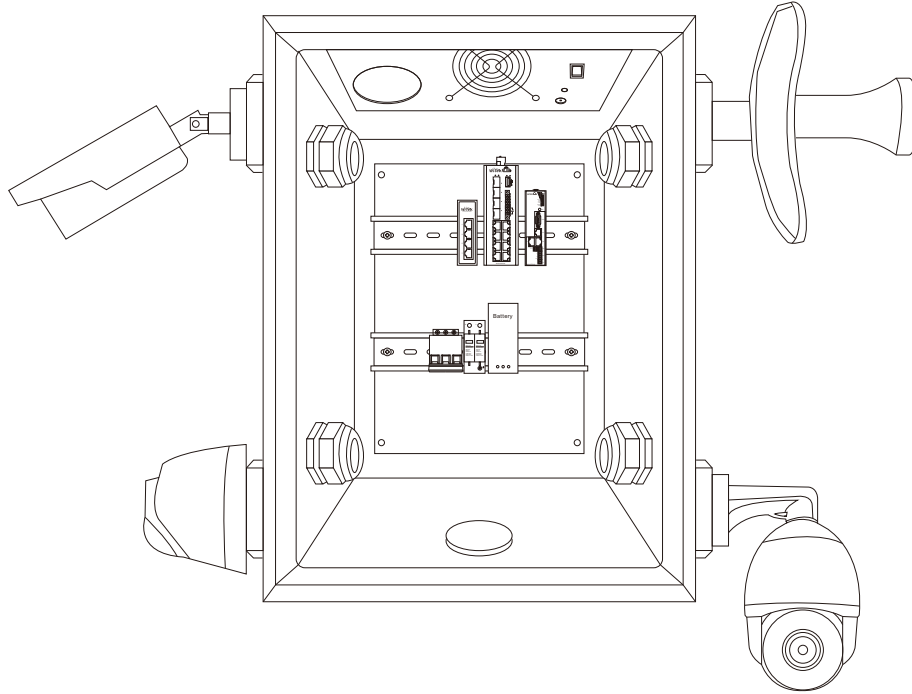
WI-IOTBOX02



Fan



Application



Package Content

Welcome to order our products. After purchasing, you will receive:

Items		Quantity
Smart IoT Box		1 pcs
Waterproof Cable Gland		4 pcs
Triangle Lock Key		1 pcs
Micro Switch Bezel Kit	Micro Switch Bezel	1 pcs
	Screw	4 pcs
Circuit Breaker		1 pcs
Quick Installation Guide		1 pcs
Grounding Strip		1 pcs
Contact DIN-rail		2 pcs
Wall Mounting Accessories Kit	Hanging Piece (Small)	2 pcs
	Hanging Piece (Large)	2 pcs
	Hex(agonal) Screw	4 pcs
	Expansion Screw	4 pcs
Pole Mounting Accessories Kit	1.2m Stainless Steel Cable Tie	2 pcs
	Stainless Steel Universal Clip	2 pcs
Mounting Plate		3 pcs (only for WI-IOTBOX02)



WIRELESS-TEK TECHNOLOGY LIMITED

Address: Biaofang Technology Building 402, Bao'an street,
Baoan District, Shenzhen City, Guangdong, China

Website: www.witek-iiot.com

Tel: 86-0755-32811290

Email: sales@witek-iiot.com

Design Industrial IoT for Smarter and More Connected



Technical Support



Company Website