

YVR-122

1-Bay



- 1-bay Mini Standalone Hybrid DVR
- Maximum Number of Video Devices: 24
- 16 (for Analog cameras)
8 (for IP video devices, up to 16-ch after analog camera conversion)
- 16 X BNC connector, supports TVI/AHD/CVI/CVBS
- Web Client
- Event trigger, response and notification

► Specifications

Product Profile

Product Type	Standalone Hybrid DVR
Maximum Number of Video Devices	24
Maximum Number of Clients	Local: 1, Remote: 128
Supported Screen Resolution	HDMI/VGA: 1920x1080 (60Hz/50Hz), 1600x1200 (60Hz), 1280x1024 (60Hz), 1280x720 (60Hz), 1024x768 (60Hz)

Hardware

System Architecture	Embedded SoC-based (ARM platform)
---------------------	-----------------------------------

License

License required	No
Free License	16 (for Analog cameras) 8 (for IP video devices, up to 16-ch after analog camera conversion)

Video

Compression	H.265, H.264
Maximum Frame Rate vs. Resolution	(TVI/AHD) 12 fps at 5MP 15 fps at 4MP 30 fps at 1080P 30 fps at 720P

Audio

Audio Type	2-way, Line-in, Line-out
Audio Compression	G.711 u-law

Network

Network Protocol & Service	IP, TCP, DHCP, HTTP, HTTPS, DNS, DDNS, RTSP, SMTP, UPnP
Ethernet Port	1, Ethernet (10/100 Base-T), RJ-45 connector
Maximum Outgoing Throughput	64 Mbps

Recording

Maximum Recording Throughput	40 Mbps
------------------------------	---------

Event

Event Trigger	[Video Device]: Video motion detection, IP address conflict, Network loss. [Local Server]: Disk full, Failed to write storage, Low disk space
Event Response	Play alert sound, Send E-mail Notification, Pop-up window

System

Server Operating System	Linux
USB	2-Port USB 2.0

Integration

ONVIF Compliant	Yes, Profile S
-----------------	----------------

Storage

Storage Bay	SATA, Max. 1 Disk(s) (without storage disks)
HDD Size	2.5", 3.5"
Maximum Recording Capacity	20TB x1

Interface

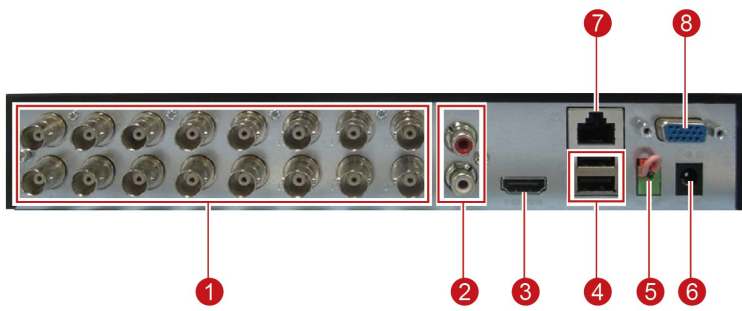
Serial Port	1 x RS-485
Audio Interface	1/1, RCA Jack
Analog Video Input	16 X BNC connector, supports TVI/AHD/CVI/CVBS
Local Display Interface	HDMI x 1, VGA x 1

General

Power Source	DC 12V
Power Supply	40W
Weight	1100g (2.42lb)
Dimensions	(W x H x D): 260mm x 47mm x 226mm (10.2" x 1.8" x 8.9")
Bundled Accessories	USB Mouse, Power Adapter
Fan	No
Operating Temperature	-10°C ~ 55°C (14°F ~ 131°F)

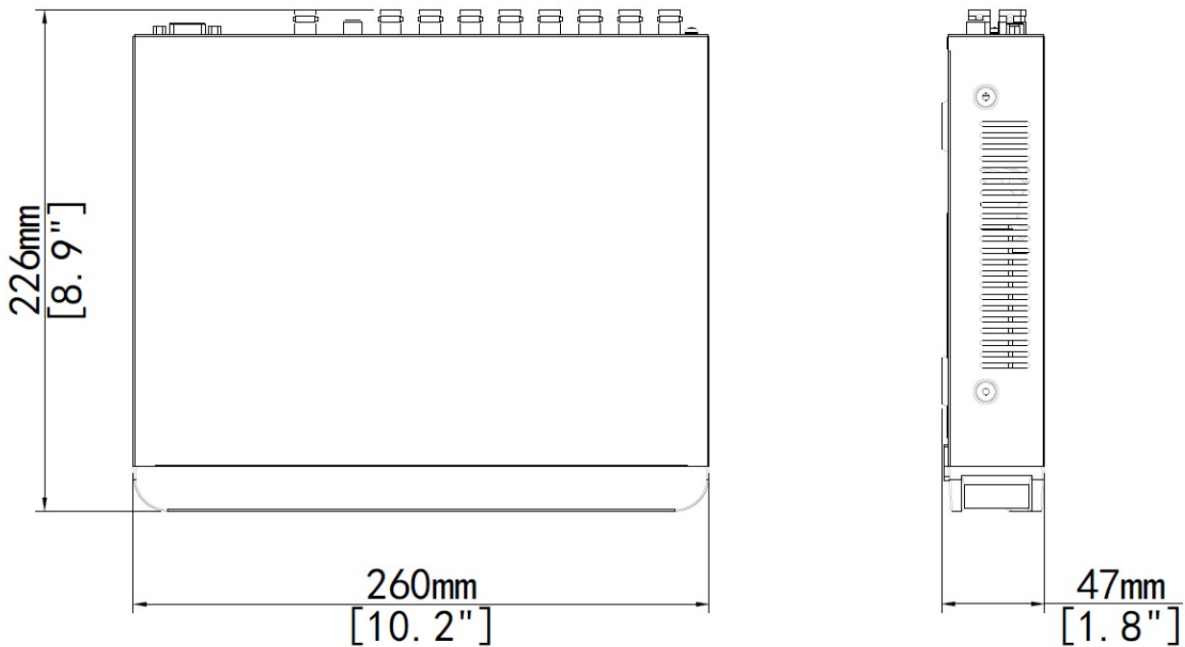
Operating Humidity	10% - 90% RH, non-condensing
Remote Access	Web Client
Approvals	CE Class A, FCC Class A, BSMI, UL Listed
Color	Black
Real-time Clock (RTC)	Yes
Warranty	2 Year(s). For extended warranty offering, see http://www.acti.com/support/warranty

► Photo Indication



- 1 Analog Video Input
- 2 Audio Input / Output
- 3 HDMI Connector
- 4 USB Port
- 5 Serial Port
- 6 DC 12V Power Input
- 7 Ethernet Port
- 8 VGA Connector

► Dimension Diagram



Unit: mm [inch]

▶ Related Products

Network & Storage Peripherals - Hard Disk

PHDD-2503



PHDD-2503 WD WD43PURZ 4 TB 3.5" Hard Disk Drive, 5400 RPM 256 MB Cache

PHDD-2101



SkyHawk AI 20TB 3.5" Hard Disk Drive, 7200 RPM 256MB Cache

Controllers - Joystick

PJSK-0102



Joystick for PTZ Control (for ZNR-126, ZNR-127, ZNR-221P, ZNR-423, ZNR-424, YVR Series)