

Z32

2MP Mini Bullet with D/N, Adaptive IR, Basic WDR, SLLS, Fixed Lens



- 2 Megapixel
- Day & Night with Superior Low Light Sensitivity and Adaptive IR LED
- Fixed Lens with f2.8mm/F2.0
- Basic WDR
- H.265 Compression
- Super wide angle
- Not available in the USA

► Specifications

Device

Product Type	Mini Bullet
Maximum Resolution	2MP
Application Environment	Outdoor
Image Sensor	Progressive Scan CMOS
Sensor Size	1/2.7 "
Day / Night	Yes
Low Light Sensitivity	Superior
Minimum Illumination	Color: 0.028 lux; B/W: 0 lux (IR LED on)
Mechanical IR Cut Filter	Yes
IR LED	Adaptive IR LED (850 nm)
IR Working Distance	30m
Electronic Shutter	1/3-1/100000 second (auto mode)
S/N Ratio	50 dB

Lens

Focal Length	Fixed focal, f2.8mm
Aperture	F2.0

Iris	Fixed iris
Focus	Fixed focus
Lens Mount	Board mount
Horizontal Viewing Angle	114°
Vertical Viewing Angle	62°

Video

Compression	H.265, H.264 (Baseline/ Main/ High profile), MJPEG
Maximum Frame Rate vs. Resolution	30 fps at 1920 x 1080 30 fps at 1280 x 960 30 fps at 1280 x 720 30 fps at 640 x 480 30 fps at 640 x 360 30 fps at 320 x 240
Multi-Streaming	Simultaneous dual streams
Bit Rate	32Kbps - 8Mbps (per stream)
Wide Dynamic Range	Basic WDR (80 dB)
Image Orientation	Flip, Mirror, Rotation (Corridor mode)

Audio

Audio Type	1-way, Built-in Microphone
Audio Compression	G.711, G.722.1, G.726, MP2L2, PCM

Network

Network Protocol & Service	TCP, IP, ICMP, HTTP, HTTPS, FTP, DHCP, DNS, RTP, RTSP, RTCP, NTP, IGMP, QoS, UDP
Ethernet Port	1 x Ethernet (10/100 Base-T), RJ-45 pigtail connector

Integration

ONVIF Compliant	Yes, Profile S, Profile G
Web Browser	IE 8.0 or newer

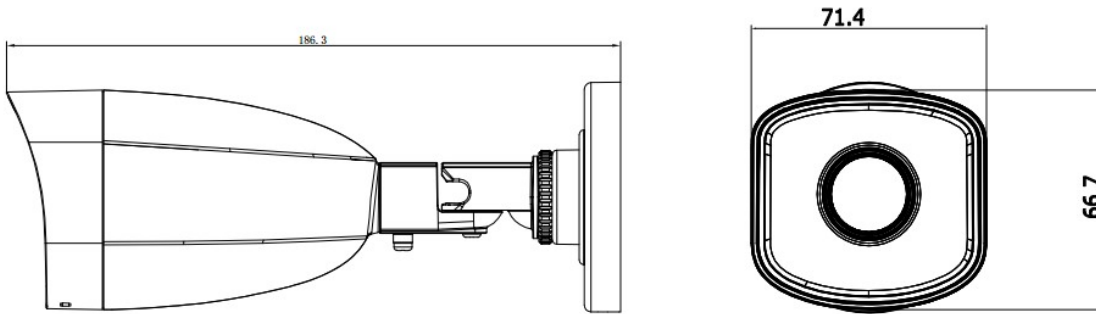
Interface

Operating Button	No
------------------	----

General

Power Source	DC 12V, PoE Class 3 (IEEE802.3af)
Power Consumption	3.6 W (DC), 4 W (PoE)
Weight	391g (0.862lb)
Dimensions	(W x H x D): 71.4mm x 66.7mm x 186.3mm (2.81" x 2.63" x 7.33")
Environmental Casing	Weatherproof (IP66)
Operating Temperature	-30°C ~ 60°C (-22°F ~ 140°F)
Material	Camera with Integrated Bracket: Metal Sunshield: Metal
Warranty	2 Year(s). For extended warranty offering, see http://www.acti.com/support/warranty

▶ Dimension Diagram



Unit: mm [inch]

▶ Related Products

Power Supply Accessories - PoE Injector

PPOE-0001



PoE Injector IEEE 802.3af compliant, AC 100~240V, with universal connectors