

# Z76

## 2MP Outdoor Dome with D/N, Adaptive IR, Basic WDR, SLLS, Fixed Lens



- 2 Megapixel
- Day & Night with Superior Low Light Sensitivity and Adaptive IR LED
- Fixed Lens with f2.8mm/F2.0
- Basic WDR
- H.265 Compression
- Super wide angle
- Not available in the USA
- Event trigger, response and notification

### ► Specifications

#### Device

Product Type	Dome
Maximum Resolution	2MP
Application Environment	Outdoor
Image Sensor	Progressive Scan CMOS
Sensor Size	1/2.7 "
Day / Night	Yes
Low Light Sensitivity	Superior
Minimum Illumination	Color: 0.001 lux; B/W: 0 lux (IR LED on)
Mechanical IR Cut Filter	Yes
IR LED	Adaptive IR LED (850 nm)
IR Working Distance	30m
Electronic Shutter	1/3-1/100000 second (auto mode)
S/N Ratio	62 dB

#### Lens

Focal Length	Fixed focal, f2.8mm
Aperture	F2.0

Lens Mount	Board mount
Horizontal Viewing Angle	110.3°
Vertical Viewing Angle	58.8°
Viewing Angle Adjustment	Pan: 0°-360°, Tilt: 0°-75°, Rotation: 0°-360°

## Video

Compression	H.265, H.264 (Baseline/ Main/ High profile), MJPEG
Maximum Frame Rate vs. Resolution	30 fps at 1920 x 1080 30 fps at 1280 x 960 30 fps at 1280 x 720 30 fps at 640 x 480 30 fps at 640 x 360 30 fps at 320 x 240
Multi-Streaming	Simultaneous dual streams
Bit Rate	32Kbps - 8Mbps (per stream)
Wide Dynamic Range	Basic WDR (80 dB)
Image Enhancement	White Balance, Saturation, Brightness, Contrast, Sharpness, Automatic gain control
Digital Noise Reduction	3D DNR
Privacy Mask	Yes
Text Overlay	Yes

## Audio

Audio Type	1-way, Built-in Microphone
Audio Compression	G.711, G.722.1, G.726, MP2L2, PCM

## Network

Ethernet Port	1 x Ethernet (10/100 Base-T), RJ-45 pigtail connector
---------------	---

## Event

Event Trigger	Video motion detection, Tampering detection
---------------	---

## Integration

ONVIF Compliant	Yes, Profile S
-----------------	----------------

## General

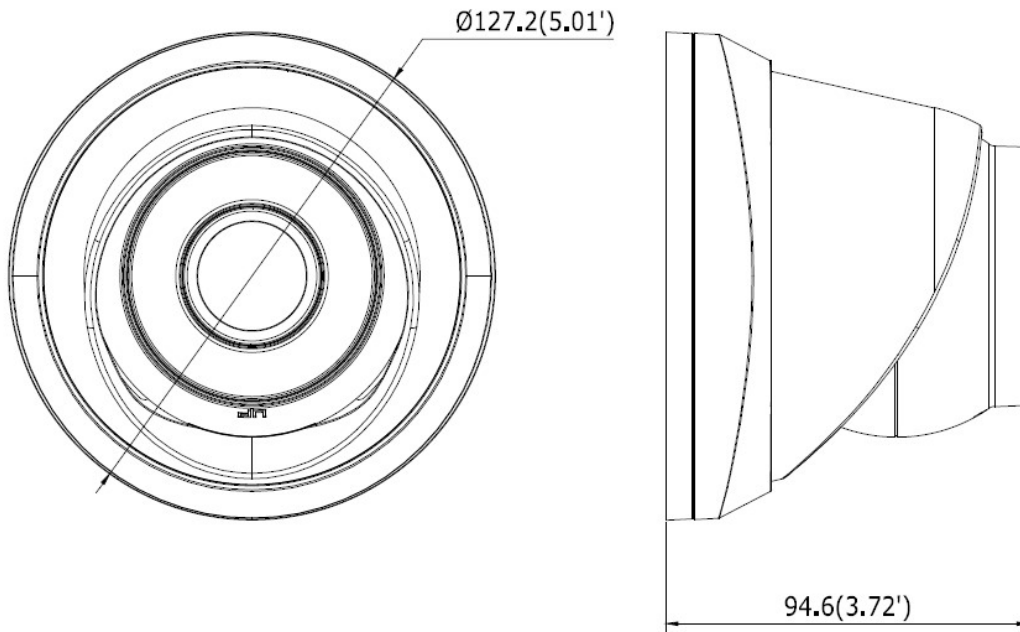
Power Source	DC 12V, PoE Class 3 (IEEE802.3af)
Power Consumption	5 W (DC), 6.5 W (PoE)
Weight	556g (1.226lb)
Dimensions	(Ø x H): 127.2mm x 94.6mm (5.01" x 3.72")
Environmental Casing	Weatherproof (IP66), Vandal proof metal casing (IK10)
Starting Temperature	-30°C ~ 60°C (-22°F ~ 140°F)
Operating Temperature	-30°C ~ 60°C (-22°F ~ 140°F)
Approvals	CE, FCC, EAC, BIS, IP66, IK10 (metal casing)
Warranty	2 Year(s). For extended warranty offering, see <a href="http://www.acti.com/support/warranty">http://www.acti.com/support/warranty</a>

### ▶ Photo Indication



- 1 DC 12V Power Input
- 2 Ethernet Port
- 3 Built-in Microphone

### ▶ Dimension Diagram



Unit: mm [inch]

## ▶ Related Products

### Mounting Accessories - Camera Mount

PMAX-0721



Junction Box (for A416, A418, ,A419, Z76, B419-P2)

**Note:** Some mounting accessories may need additional accessories for installation. Please check [www.acti.com/mountingselector](http://www.acti.com/mountingselector) for more information.