

PixelPro GXi Network Encoder Encoder Series



Features:

- H.264 Full Frame at D1
- Video Compression: H.264, MPEG-4, MJPEG
- Deinterlacing on DSP
- Audio Compression: G.711
- Burnt-in Text, Video Motion Detection Support
- Comprehensive SDK Support

GANZ **IP** SPECIFICATIONS

*Exact products and specifications shown may vary by geographic and subject to change without notice.
Actual products may differ from the images appearing in the specification sheet.



CBC Co.,Ltd.
TOKYO Head Office Image and Information Technology Division
Ganz Global Brand Center

ganzsecurity.com

CBC Co.,Ltd.
Ganz Global Brand Center

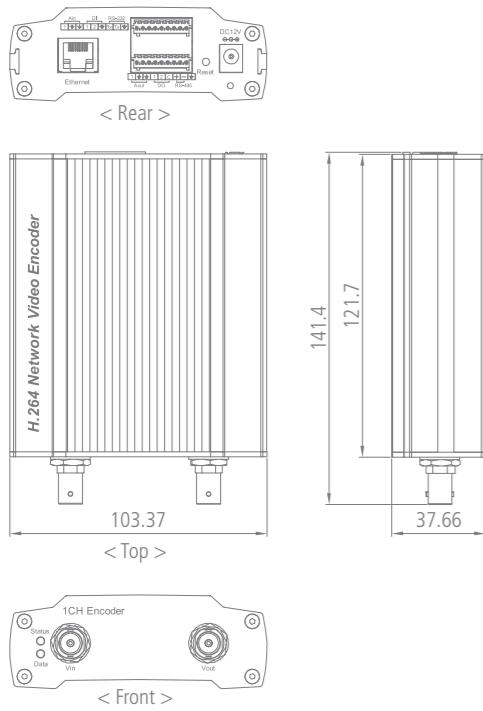
SPECIFICATION

MODEL	ZN-S110VE	ZS1A-1DS	ZS1A-4DS	ZN-S4000VEL
Video	Input	1 channel		4 channel
	Output	1 Loop Out		1 Loop Out
	Compression Format	H.264, MPEG-4, MJPEG	H.264, MJPEG Selectable per Stream	
	Number of Streams	Dual Stream, Configurable		1
	Resolution	720x480/576(D1), 704x480/576(4CIF), 704x240/288(2CIF), 640x480(VGA), 352x240/288(CIF), 320x240(QVGA), 176x120/144(QCIF)	720x480/576(D1), 704x480/576(4CIF), 640x480(VGA), 352x240/288(CIF), 320x240(QVGA), 176x120/144(QCIF)	720x480/576(D1), 704x480/576(4CIF), 704x240/288(2CIF), 640x480(VGA), 352x240/288(CIF), 320x240(QVGA), 176x120/144(QCIF)
	Frame Rate	25/30fps @ D1 (PAL/NTSC)		
	Deinterlacing	Supported		
	Motion Detection	Supported		
Text Overlay	Supported			
Audio	Input	1 channel	4 channel	2 channel
	Output	1 channel		
	Compression Format	G.711		
Function	DI	2 channel		4 channel
	DO	2 channel		4 channel
	Serial Port	RS-485 Only		RS-232C, RS-485
	Network	10 / 100 Base-T		100 Base-T
	Protocol	TCP/IP, UDP/IP, HTTP, RTSP, RTP/UDP, RTP/TCP, mDNS, UPnP, SMTP, IGMP, DHCP, FTP, DDNS, SSL v2/v3, IEEE 802.1X, SNMP v2/v3	QoS Layer 3 DiffServ, TCP/IP, UDP/IP, HTTP, RTSP, RTP/UDP, RTP/TCP, mDNS, UPnP™, SMTP, DHCP, DNS, DynDNS, NTP, SNMPv1/v2c/v3(MIB-II), IGMP, ICMP, SSLv2/v3, TLSv1	TCP/IP, UDP/IP, HTTP, RTSP, RTP/UDP, RTP/TCP, mDNS, UPnP, SMTP, IGMP, DHCP, FTP, DDNS, SSL v2/v3, IEEE 802.1X, SNMP v2/v3
	USB 2.0	-		
	SD Memory Card Slot	-	Supported (64GB)	
Electrical	Power Source	12VDC (DC Jack)	12VDC, PoE	12VDC (DC Jack)
	Power Over Ethernet	-	Supported (IEEE 802.3af)	-
	Power Consumption (Approx)	240 mA @ 12VDC	235mA@12VDC	735mA@12VDC
Environmental	Operating Temperature (Not include cold start)	-20 °C ~ 60 °C (-4 °F ~ 140 °F)	0°C ~ 50°C	
	Operating Humidity	Up to 85% RH (Non-condensing)		
Mechanical	Dimensions	103(W) x 38(H) x 141(D) mm / 4.1" x 1.5" x 5.6"	137(W) x 38(H) x 243(D) mm	137(W) x 38(H) x 189(D) mm / 5.4" x 1.5" x 7.4"
	Weight (Approx)	385 g	430 g	920 g
Video Content Analysis (Included as Standard)	High Performance	Advanced Tracking Algorithm, Low False Alarm Rate	VCA Technology's advanced tracking algorithm with rich library of detection behaviors	
	Easy to Use	Intuitive Web Browser Interface	-	
	Detection Zones	Multi-segment Polygons and Lines	40 zones (Multi-segment Polygons and Lines) in total 60 rules in total	
	On-screen Display	Real-time Display of Tracking Data and Events	-	
	Camera Shake Cancellation	Improve the VCA performance with cameras that are prone to shake	Supported	
	Tamper Detection	Detect camera tampering	Supported	
Video Content Analysis (Option)	Detection Behavior	Direction, Stopping, Loitering, Entering, Exiting, Appear, and Disappear Filters, Abandoned/Removed Object Detection, Tailgating Detection	Enter, Exit, Appear, Disappear, Stop, Direction, Dwell filter; Tailgating;	
	3D Behavior	Perspective Corrected Size and Speed Filters		-
	Statistics	Counting Functions and Other Statistics		-
	Meta Data	Plain XML Format		-
	Electronic Stabilization	Removes Camera Sway		-
Certifications	CE/FCC			
Onvif	-	Supported		-

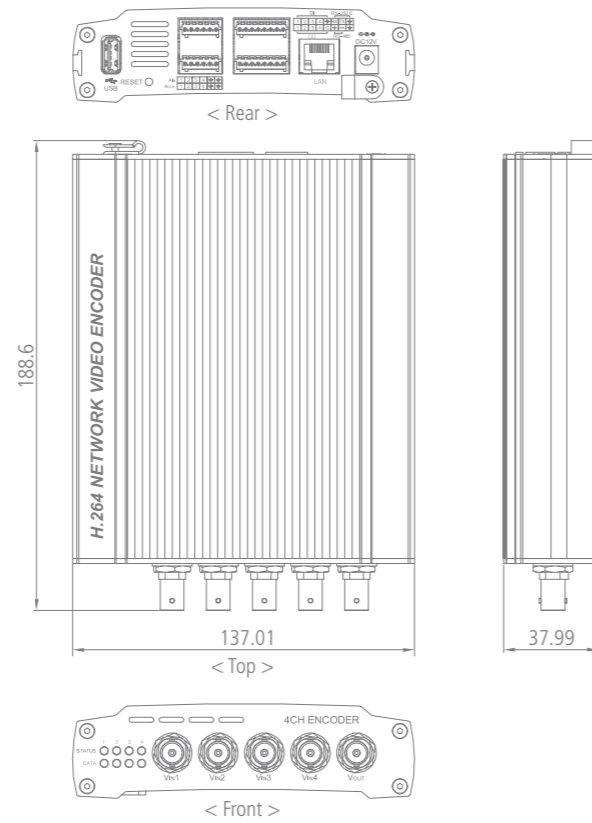
MODEL	ZS1A-4DB1	ZS1A-4DB2	ZN-RS4012VEL	ZN-RS4040VEL
Video	Input	4 channel		
	Output	-		
	Compression Format	H.264, MJPEG Selectable per Stream		H.264
	Number of Streams	Dual Stream, Configurable		Single Stream (H.264) + Snapshot (MJPEG)
	Resolution	720x480/576(D1), 704x480/576(4CIF), 640x480(VGA), 352x240/288(CIF), 320x240(QVGA), 176x120/144(QCIF)	720x480/576(D1), 704x480/576(4CIF), 704x240/288(2CIF), 640x480(VGA), 352x240/288(CIF), 320x240(QVGA), 176x120/144(QCIF)	
	Frame Rate	25/30fps @ D1 (PAL/NTSC)		
	Deinterlacing	Supported		
	Motion Detection	Supported		
Text Overlay	Supported			
Audio	Input	4 channel		2channel
	Output	1 channel		
	Compression Format	G.711		
Function	DI	4 channel		2 channel
	DO	4 channel		2 channel
	Serial Port	RS-485 (4 port)		RS-485, RS232C
	Network	10 / 100 Base-T		
	Protocol	QoS Layer 3 DiffServ, TCP/IP, UDP/IP, HTTP, RTSP, RTP/UDP, RTP/TCP, mDNS, UPnP™, SMTP, DHCP, DNS, DynDNS, NTP, SNMPv1/v2c/v3(MIB-II), IGMP, ICMP, SSLv2/v3, TLSv1	TCP/IP, UDP/IP, HTTP, RTSP, RTP/UDP, RTP/TCP, mDNS, UPnP, SMTP, IGMP, DHCP, FTP, DDNS, SSL v2/v3, IEEE 802.1X, SNMP v2/v3	
	USB 2.0	-		
	SD Memory Card Slot	-		
Electrical	Power Source	12VDC (From Power Supplier Unit)		
	Power Over Ethernet	-		
	Power Consumption (Approx)	845mA@12VDC		530 mA @ 12VDC
Environmental	Operating Temperature (Not include cold start)	0°C ~ 50°C		12VDC: -10 °C ~ 50 °C (14 °F ~ 122 °F) PoE: -10 °C ~ 45 °C (14 °F ~ 113 °F)
	Operating Humidity	Up to 85% RH (Non-condensing)		
Mechanical	Dimensions (Panel)	124(W) x 42(H) mm	30(W) x 131(H) mm	124(W) x 42(H) mm
	Weight (Approx)	370 g	240 g	220 g
Video Content Analysis (Included as Standard)	High Performance	VCA Technology's advanced tracking algorithm with rich library of detection behaviors		-
	Easy to Use	-		
	Detection Zones	40 zones (Multi-segment Polygons and Lines) in total 60 rules in total		-
	On-screen Display	-		
	Camera Shake Cancellation	Supported		-
	Tamper Detection	Supported		-
Video Content Analysis (Option)	Detection Behavior	Enter, Exit, Appear, Disappear, Stop, Direction, Dwell filter; Tailgating;		-
	3D Behavior	Perspective Corrected Size and Speed Filters		-
	Statistics	-		-
	Meta Data	Plain XML Format		-
	Electronic Stabilization	-		-
Certifications	CE/FCC			
Onvif	Supported		-	

DIMENSIONS

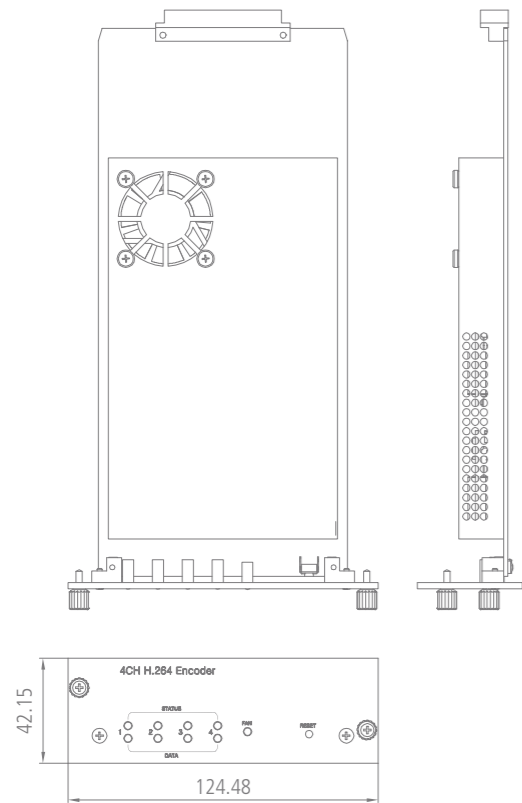
ZN-S110VE / ZS1-1DS



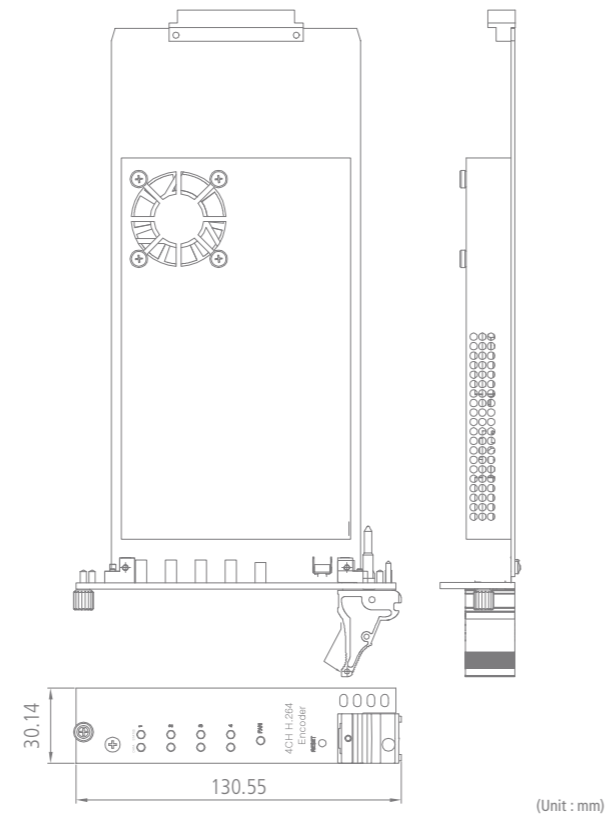
ZS1-4DS / ZN-S4000VEL



ZS1-4DB1 / ZN-RS4012VEL



ZS1-4DB2 / ZN-RS4040VEL

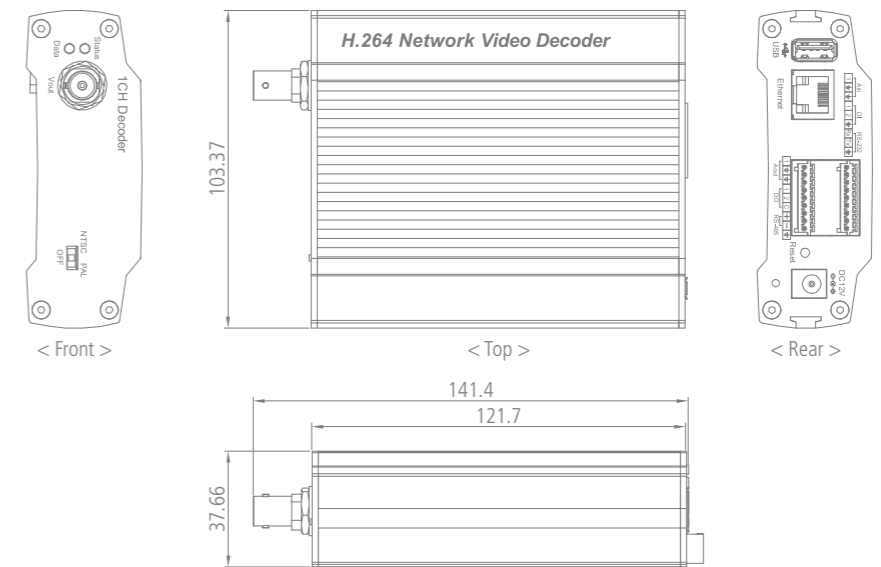


(Unit : mm)

SPECIFICATION

MODEL		ZN-R1000E
		
Video	Output	1 BNC Connector (NTSC / PAL)
	Video Display	Single view up to D1 resolution, Quad View in CIF resolution
	Decompression Format	H.264, MPEG-4, MJPEG
	Resolution	720×480/576 (D1), 352×240/288 (CIF)
	Decompression FPS	25/30 fps @ D1, 100/120 fps @ CIF
	OSD Configuration	Display Network setup screen, Display Connection Information
Audio	Input	1 channel
	Output	1 channel
	Compression Format	G.711
Function	Digital Input	2
	Digital Output	2
	Serial port	RS-485, RS232C
	Network	100 Base-T
	Protocol	TCP/IP, UDP/IP, HTTP, RTSP, RTPC, RTP/UDP, RTP/TCP, SNMP, mDNS, UPnP, SMTP, SOCK, IGMP, DHCP, FTP, DDNS, SSL v2/v3, IEEE 802.1X, SSH, SNMP v2/v3
	USB 2.0	Support for USB mouse
Electrical	Power Source	12V DC (DC Jack)
	Power over Ethernet	Support (IEEE 802.3af)
	Power Consumption (Approx)	300 mA @ 12V DC
Environmental	Operating Temperature	-20 °C ~ 60 °C (-4 °F ~ 140 °F)
	Operating Humidity	Up to 85% RH, Non-condensing
Mechanical	Dimension	103(W) x 38(H) x 141(D) mm / 4.1" x 1.5" x 5.6"
	Weight (Approx)	385g

DIMENSIONS

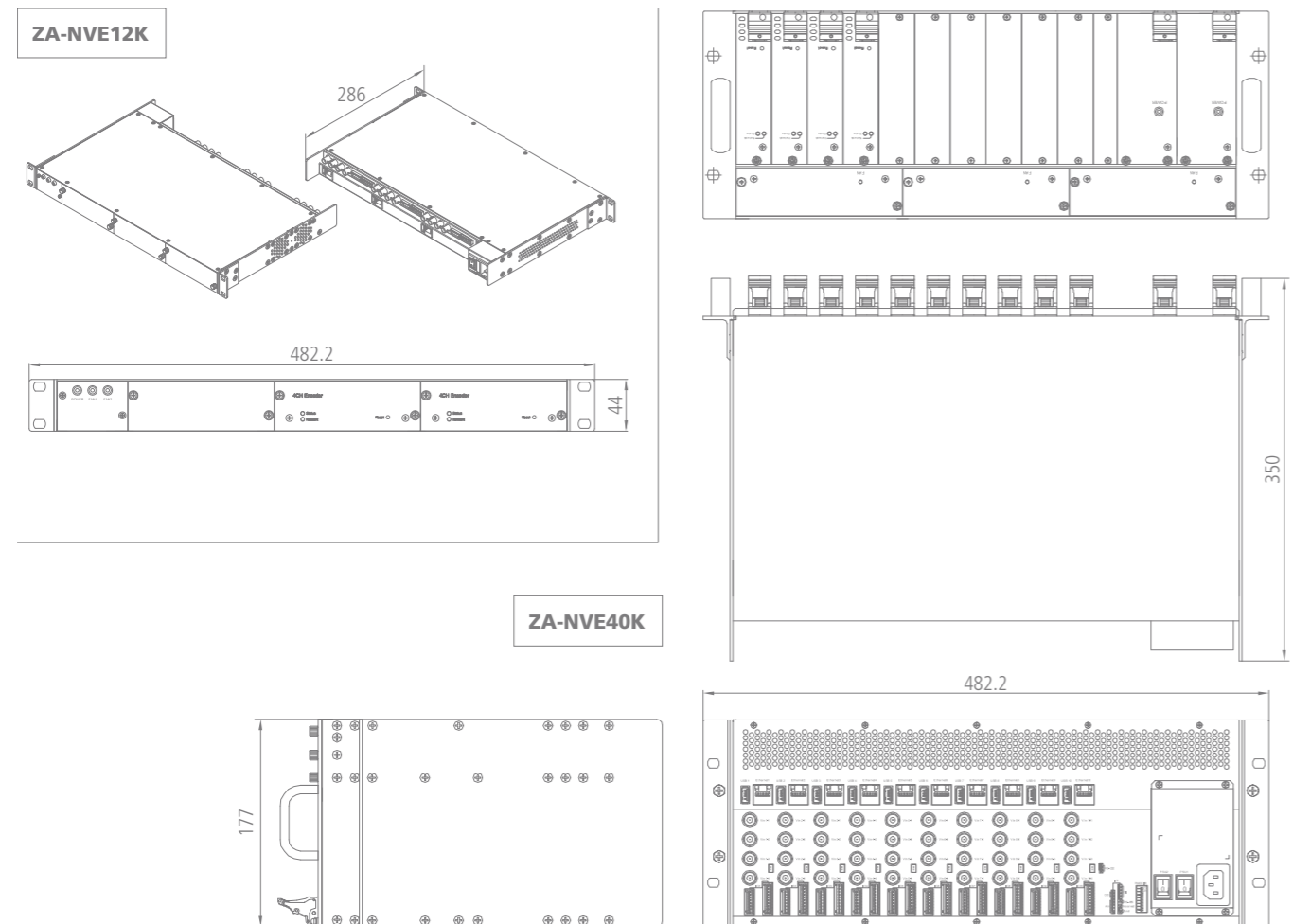


(Unit : mm)

SPECIFICATION

MODEL	ZA-NVE12K	ZA-NVE40K
Rack Construction	Aluminum 19" / 1U Sub-Rack	Aluminum 19" / 4U Sub-Rack
Available Slots	3 (Hot Swappable Blades)	10 (Hot Swappable Blades)
Power Source	85~264 V AC, 47~63 Hz, 2A	90~264 V AC, 47~63 Hz, 2A
Fan Unit	4,500 rpm x 2	1,800 rpm x 3 (Hot Swappable)
Operating Temperature (Not Cold Start)	0 °C ~ 60 °C (32 °F ~ 140 °F)	
Humidity	Up to 85% RH	
Dimension	482(W) x 44(H) x 286(D) mm / 19.0" x 1.7" x 11.3"	482(W) x 177(H) x 350(D) mm / 19.0" x 7.0" x 12.8"
Weight	1.80 kg + 370 g (ZN-RS4012VE) x 3	6.90 kg + 380 g (ZN-RS4040VE) x 10
Power Consumption	Typically 55W Fully Loaded Rack	Typically 140W Fully Loaded Rack
Supported Blades	ZN-RS4012VE / ZS1-4DB1 (for 12 channel Rack)	ZN-RS4040VE / ZS1-4DB2 (for 40 channel Rack)

DIMENSIONS

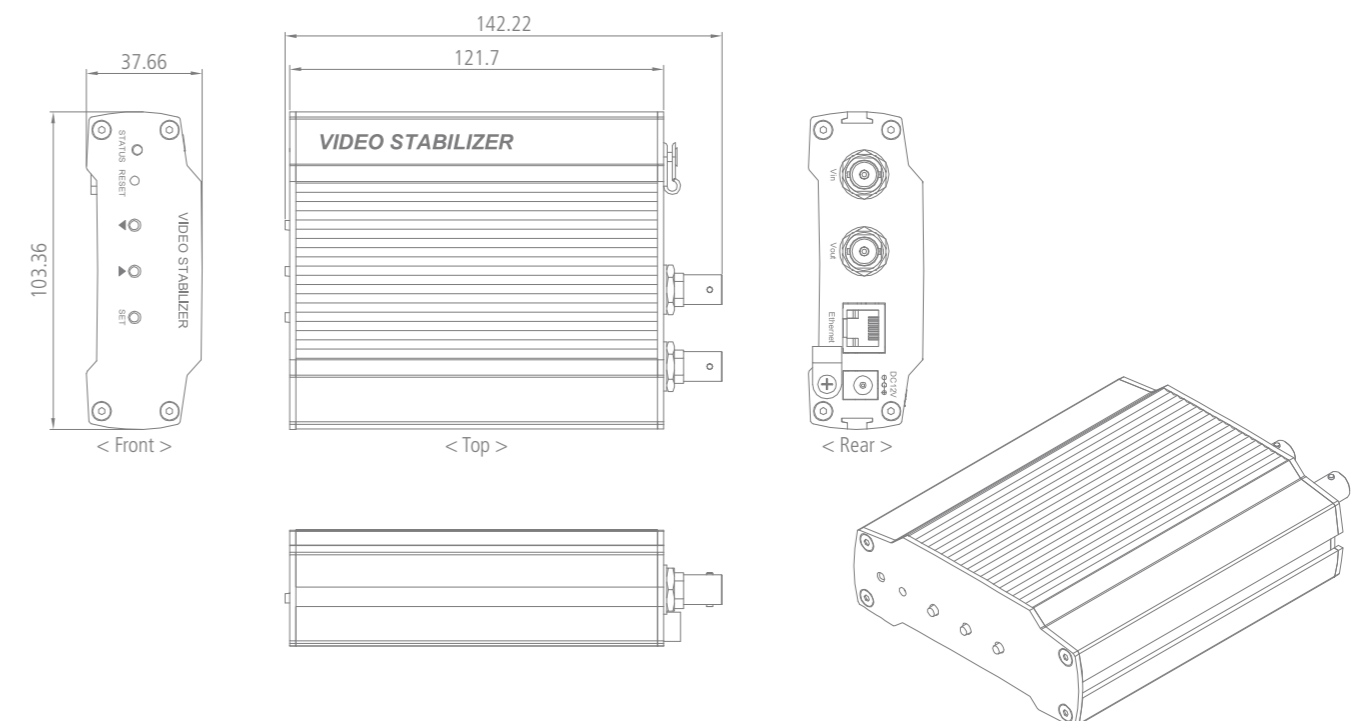


(Unit : mm)

SPECIFICATION

MODEL	ZS-STB1000	
Stabilization	Stabilization Tracking Rate	Approx ±3,000 pixels / se
	Stabilization Range	±256 pixel
	Stabilization Frequency	0.1 - 30Hz
	Video Delay	< 80ms
	Stabilization	X-Y Movement at Sub-pixel Accuracy
	Automatic Algorithm	Locks-on to Background Features Ignores Moving Objects and Burnt-in Text
Video	Lock-on Time	< 80ms From Change of Image
	Input	Composite
	Output	BNC Connector
	Video Standards	PAL / NTSC Selectable
Function	D1 Resolution Digitization	720 x 576 (PAL) / 720 x 480 (NTSC)
	Network	10 / 100 Base-T (For Remote Set up)
Electrical	Power Source	12V DC (DC Jack)
	Power Consumption (Approx)	260mA @ 12VDC
Environmental	Operating Temperature	-20 °C ~ 60 °C (-4 °F ~ 140 °F)
	Operating Humidity	Up to 85% RH (Non-condensing)
Mechanical	Dimension	103(W) x 38(H) x 142(D) mm / 4.1" x 1.5" x 5.6"
	Weight (Approx)	430g

DIMENSIONS



(Unit : mm)