

T72xxUxTAX Series

5 MP TurboHD Kits

Cameras

- 5 MP High Performance CMOS
- Up to 2560 x 1944 Resolution
- 2.8 mm Fixed Lens
- EXIR 2.0 with up to 98 ft (30 m) IR Range
- Digital WDR, 3D DNR, BLC
- IP67 Protection



T7204U2TA4: (4) 5 MP TurboHD Cameras • (1) 4-Channel DVR w/1 TB HDD

DVR

- Up to 8 MP Resolution Recording
- 4- or 8-ch 6 MP IP Cameras Input (8- or 16-ch if Analog Channels Are Disabled)
- H.265 Pro+/H.265 Pro/H.265/H.264+/H.264
- 4- or 8-ch Synchronous Playback
- 1 SATA Interface (10 TB Capacity per HDD)



T7208U2TA6: (6) 5 MP TurboHD Cameras • (1) 8-Channel DVR w/2 TB HDD

Hikvision T72xxUxTAX Series 5 MP kits are cost-effective solutions for value-oriented users.

Each kit is supplied with four or six network cameras with 5 MP image sensors and a 4-, or 8-channel DVR in the same box.

Kit DVRs are pre-installed with a 1 or 2 TB HDD.

Available models:

T7204U1TA4

(1) iDS-7204HUHI-M1/S-1TB DVR + (4) TurboHD DS-2CE76H0T-ITMF Cameras

T7208U2TA6

(1) iDS-7208HUHI-M1/S-2TB DVR + (6) TurboHD DS-2CE76H0T-ITMF Cameras



Specifications

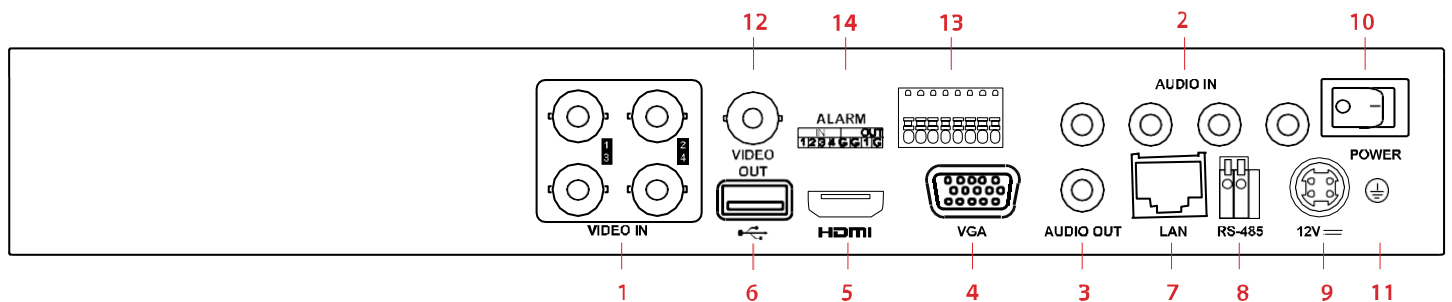
T7204U1TA4	T7208U2TA6
CAMERA	
Camera Model IDS-2CE76H0T-ITMF	
Camera Type Turret	
Number of Cameras 4	6
Image Sensor 5 MP progressive scan CMOS	
Resolution 2560 (H) × 1944 (V)	
Minimum Illumination Color: 0.01 lux @ (f/1.2, AGC on), 0 lux with	
IR Shutter Speed 1/30 s to 1/50,000 s	
Lens 2.8 mm fixed lens	
Horizontal Field of View 85.5°	
Lens Mount M12	
Day/Night IR cut filter	
Angle Adjustment Pan: 0° to 360° ; tilt: 0° to 75° ; rotate: 0° to 360°	
Synchronization Internal synchronization	
Frame Rate 5 MP @ 20 fps, 4 MP @ 30 fps, 1080p @ 30 fps	
Menu	
AGC Supported	
Day/Night Mode Auto/color/BW (black and white)White	
Balance ATW/MWB	
BLC Supported	
DWDR Supported	
Language English	
Functions Brightness, sharpness, mirror, smart IR	
Interface	
TVI Video Output 1 HD analog output	
Switch Button TVI/AHD/CVI/CVBS	
General	
Operating Conditions -40° to 140° F (-40° to 60° C), humidity: 90% or less (non-condensing)	
Power Supply 12 VDC ±25% Power	
Consumption Maximum 4.3 W	
Protection Level IP67	
Material Metal	
IR Range Up to 95 ft (30 m)	
Communication Up-the-Coax, protocol: HIKVISION-C (HD-TVI output)	
Dimensions 3.58" x 3.25" x 2.69" (91 mm x 82.6 mm x 68.3 mm)	
Weight Approximately 0.64 lbs (289 g)	
DVR	
DVR Model IDS-7204HUI-M1/S	IDS-7208HUI-M1/S
Recording	
Video Compression H.265 Pro+/H.265 Pro/H.265/H.264+/H.264	
Encoding Resolution	
Main Stream	8MP@8fps/5MP12fps/4MP@15fps/3MP@18fps; 1080p/720p/WD1/4CIF/VGA/CIF@25fps(P)/30fp (N) <i>*8 MP @ 8 fps is available only for channel 1 of IDS-7204HUI-M1/S</i>
Sub-Stream Frame Rate WD1/4CIF/CIF @ 25 fps (P)/30 fps (N)Video	
Bit Rate 32 Kbps to 10 Mbps	
Dual Stream Supported	
Stream Type Video, Video & AudioAudio	
Compression G.711u	
Audio Bit Rate 64 Kbps	
Video and Audio	
IP Video Input	4-ch (up to 8-ch) 8-ch (up to 16-ch)
Up to 8 MP resolution	
Supports H.265+/H.265/H.264+/H.264 IP cameras	
Analog Video Input	4-ch 8-ch
BNC interface (1.0 Vp-p, 75 Ω), supports HiKvision-C connection	
HDTV Input 8 MP, 5 MP, 4 MP, 3 MP, 1080p30, 1080p25, 720p60, 720p50, 720p30, 720p25AHD	
Input 5 MP, 4 MP, 1080p25, 1080p30, 720p25, 720p30	
HDCVI Input 5 MP, 4 MP, 1080p25, 1080p30, 720p25, 720p30CVBS	
Input PAL/NTSC	
CVBS Output 1-ch, BNC (1.0 Vp-p, 75 Ω), resolution: NTSC: 704 × 480	
VGA Output 1-ch, 1920 × 1080/60 Hz, 1280 × 1024/60 Hz, 1280 × 720/60 Hz, 1024 × 768/60 Hz	
HDMI Output	1-ch, 1920 × 1080/60 Hz, 1280 × 1024/60 Hz, 1280 × 720/60 Hz, 1024 × 768/60 Hz
1-ch, 4K (3840 × 2160)/30 Hz, 2K (2560 × 1440)/60 Hz, 1920 × 1080/60 Hz, 1280 × 1024/60 Hz, 1280 × 720/60 Hz, 1024 × 768/60 Hz	
Audio Input 4-ch, RCA (2.0 Vp-p, 1K Ω)	
Audio Output 1-ch, RCA (Linear, 1K Ω)	
Two-Way Audio 1-ch, RCA (2.0 Vp-p, 1K Ω) (using the first audio input)	
Synchronous Playback	4-ch 8-ch
Network	
Remote Connection	32 64
Network Protocol TCP/IP, PPPoE, DHCP, Hik-Connect, DNS, DDNS, NTP, SADP, NFS, iSCSI, UPnP™, HTTPS, ONVIF	
Network Interface	1, RJ-45 10M/100M self-adaptive Ethernet interface 1, RJ-45 10M/100M/1000M self-adaptive Ethernet interface

Specifications (continued)

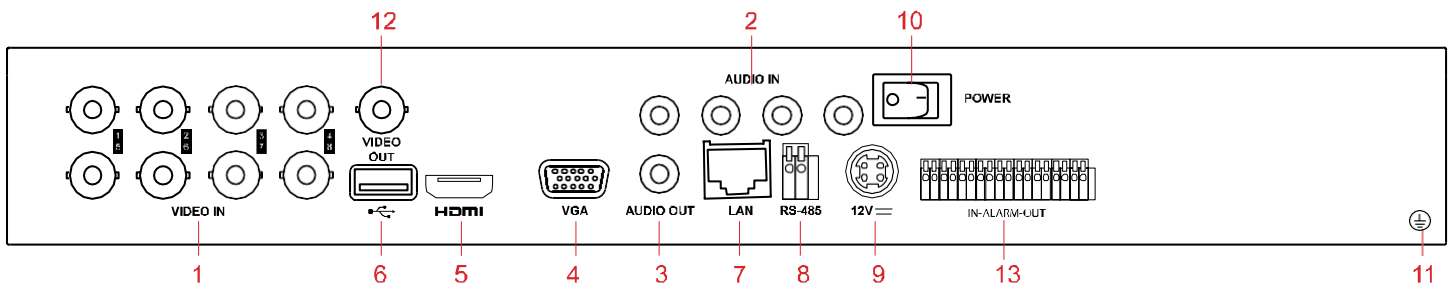
Auxiliary Interface	
SATA	1 SATA interface
Capacity	Up to 10 TB capacity for each disk
Serial Interface	RS-485 (half-duplex)
USB Interface	2 × USB 2.0
Alarm In/Out	4/1
	Front panel: 1 × USB 2.0 Rear panel: 1 × USB 3.0 8/4
General	
Power Supply	12 VDC
Consumption (without HDD)	≤10 W
	≤20 W
Working Temperature	+14° to +131° F (-10° to +55°C)
Working Humidity	10% to 90% non-condensing
Dimension (W × D × H)	12.4" × 9.5" × 1.8" (315 mm × 242 mm × 45 mm)
Weight (without HDD)	≤2.6 lb (≤1.16 kg)
	≤4.4 lb (≤2 kg)

Interface

IDS-7204HUHI-M1/S DVR Rear Panel



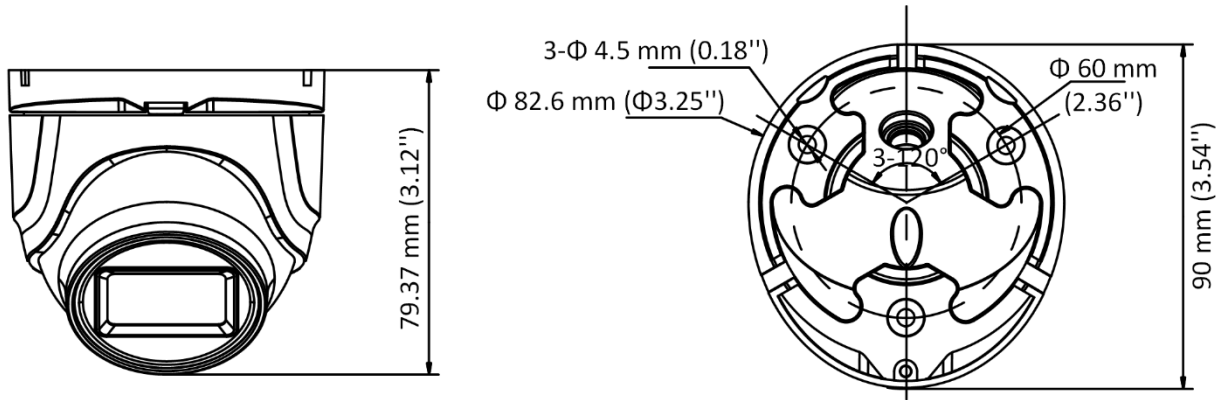
IDS-7208HUHI-M1/S DVR Rear Panel



No.	Item	Description
1	Analog Camera Inputs	BNC connectors for analog input
2	Audio In	RCA connectors
3	Audio Out	RCA connectors
4	VGA	DB-15 connector for VGA output. Displays local video output and menu.
5	HDMI	HDMI video output connector
6	USB Interface	Universal Serial Bus port for additional devices
7	LAN	Network connector
8	RS-485	Connector for RS-485 devices: T+ and T- pins connect to R+ and R- pins of PTZ receiver respectively Connect D+, D- pins to controller's Ta, Tb pins (for cascading devices, connect first DVR's D+, D- pins to nextDVR's D+, D- pins)
9	Power Input	Input: 100 to 240 VAC, Output: 12 VDC
10	Power Switch	Switch for turning device on/off
11	Ground	Grounding screw
12	Video Out	BNC connector for CVBS signal out
13	Alarm in/out	Alarm input and output interface

Dimensions

DS-2CE76H0T-ITMF Camera



Unit: mm (inch)

Accessories (Not Included)

						
WMS Wall Mount Short	PC110T 110 mm Pendant Cap	PM Pole Mount	CM Corner Mount	CBXS Conduit Base	CPM Ceiling Pendant Mount	CPME Ceiling Pendant Mount Extendable Pole

Box Contents (Subject to Change without Notice)

Drill Template
Power Pigtail with Power Leads
Quick Start Guide
Screws
Mouse
Power Supply