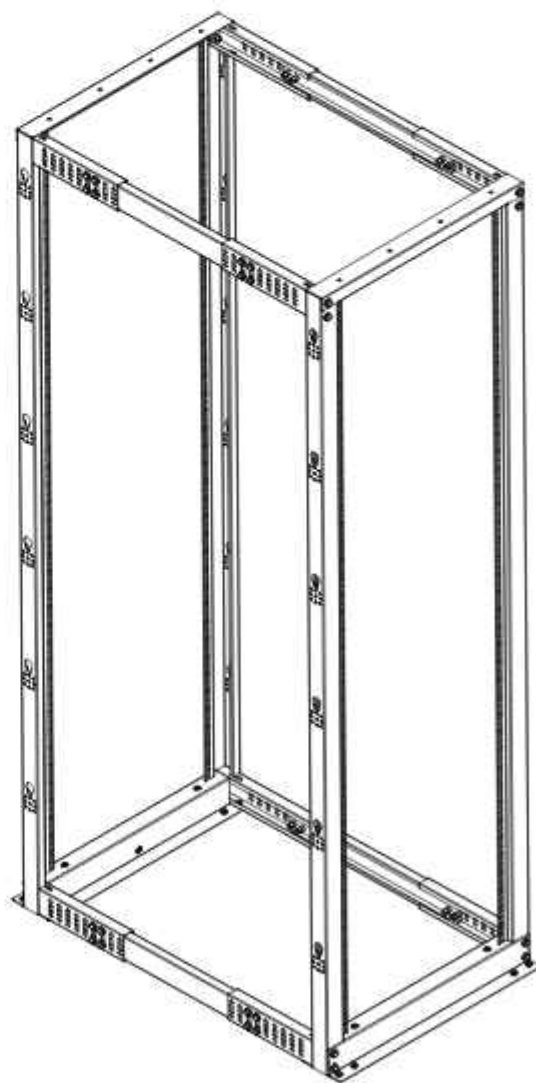


# 4-Post Open Frame Rack



**SAVE THESE INSTRUCTIONS**

Please read this manual and follow the instructions for installation and use.

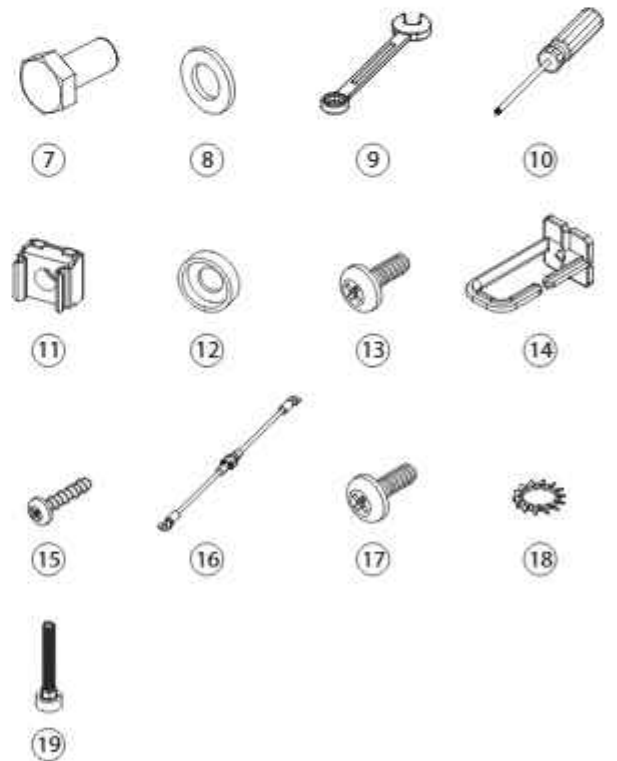
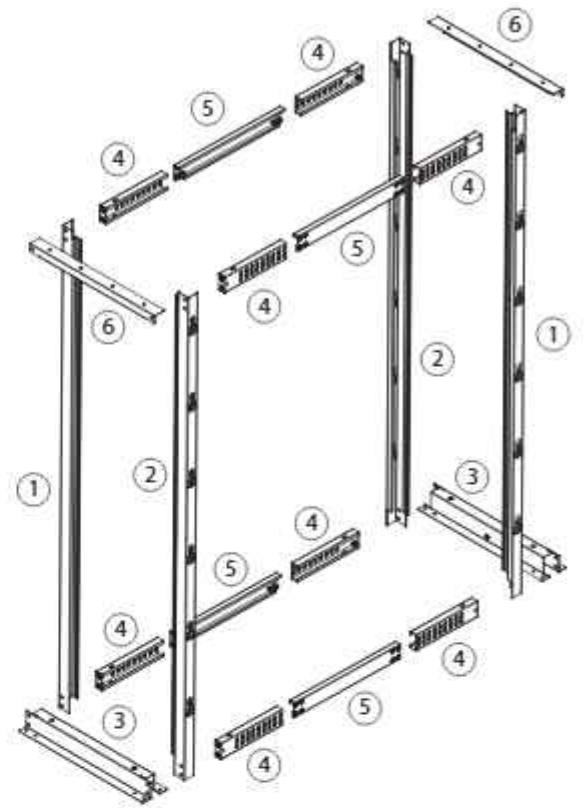
# Table of Contents

---

<b>Parts List</b> .....	<b>1</b>
<b>Rack Assembly</b> .....	<b>2</b>
<b>Accessory Installation</b> .....	<b>4</b>
Leveling Feet .....	4
Cable Management Rings .....	4
Grounding Cable .....	5

# Parts List

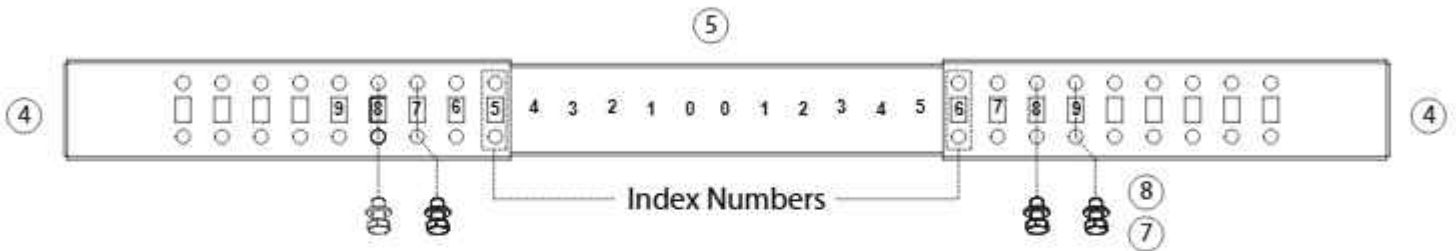
No.	Part	Qty
<b>Rack Components</b>		
1	Left Vertical Rail	2
2	Right Vertical Rail	2
3	Base Bracket	2
4	Corner Section	8
5	Center Section	4
6	Top Bracket	2
<b>Rack Assembly Hardware</b>		
7	M8 Bolt	48
8	M8 Washer	48
<b>Rack Assembly Tool</b>		
9	M8 (13mm) Wrench	1
10	Phillips Screwdriver	1
<b>Equipment Mounting Hardware</b>		
11	M6 Cage Nut	50
12	PVC Cup Washer	50
13	M6 Phillips-Head Screw	50
<b>Other Hardware and Accessories</b>		
14	Cable Management Rings	Qty Varies
15	Ring Mounting Screw	Qty Varies
16	Grounding Wires	2
17	M6 Phillips-Head Screw	4
18	Toothed Lock Washer	4
19	Leveling Feet	4



# Rack Assembly

Please check packaging contents before starting to assemble.

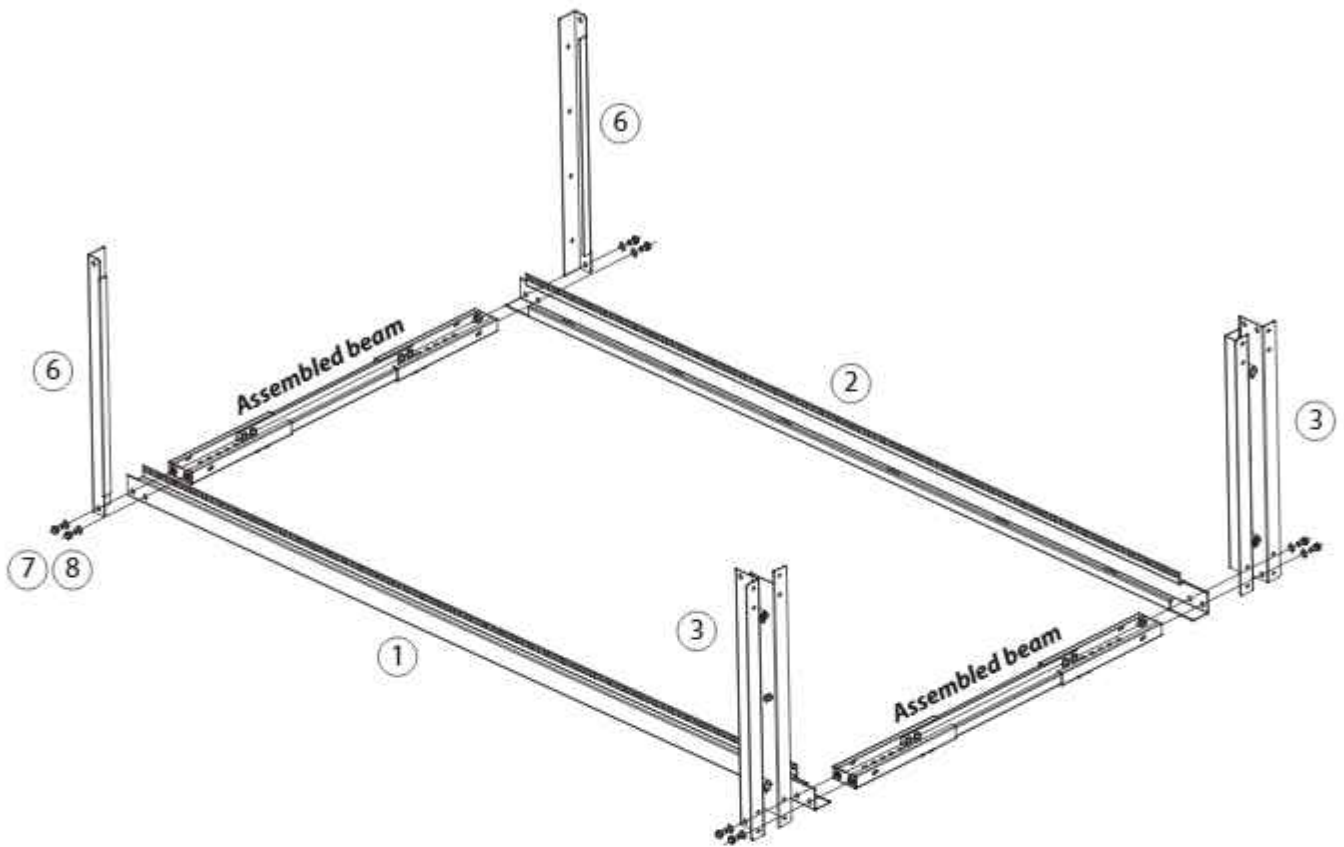
1. Assemble the top and bottom beams (4-total) as shown below. Refer to the table below to identify the desired mounting depth (22" to 40" available) and assemble corner and center sections at the corresponding index numbers on each side. For example, for a 33 inch depth, bolt one corner section to index #5 and the other corner section to index #6 onto the center section.



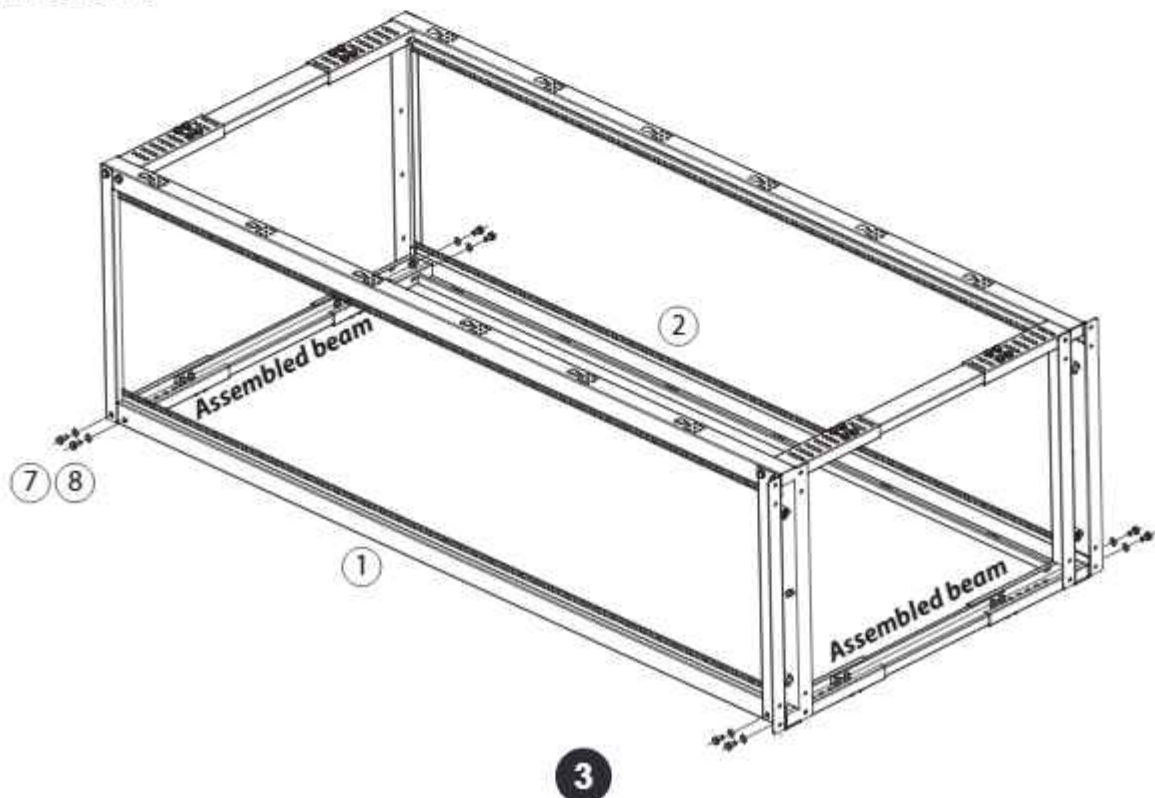
Mounting Depth	Index Numbers
22 in.	0 and 0
23 in.	1 and 0
24 in.	1 and 1
25 in.	1 and 2
26 in.	2 and 2
27 in.	2 and 3
28 in.	3 and 3
29 in.	3 and 4
30 in.	4 and 4
31 in.	4 and 5
32 in.	5 and 5
33 in.	5 and 6
34 in.	6 and 6
35 in.	6 and 7
36 in.	7 and 7
37 in.	7 and 8
38 in.	8 and 8
39 in.	8 and 9
40 in.	9 and 9

- Using two of the beams assembled in step 1, line up one left and one right vertical rails, followed by a base and top bracket and bolt together using M8 bolts with washers as shown below.

**NOTE:** To facilitate final assembly, it is recommended to hand-tighten the bolts first. After all parts have been bolted together then tighten them firmly.



- Using the remaining two beams assembled in step 1, line up the other set of left and right vertical rails and fasten them to the base and top brackets as shown below.

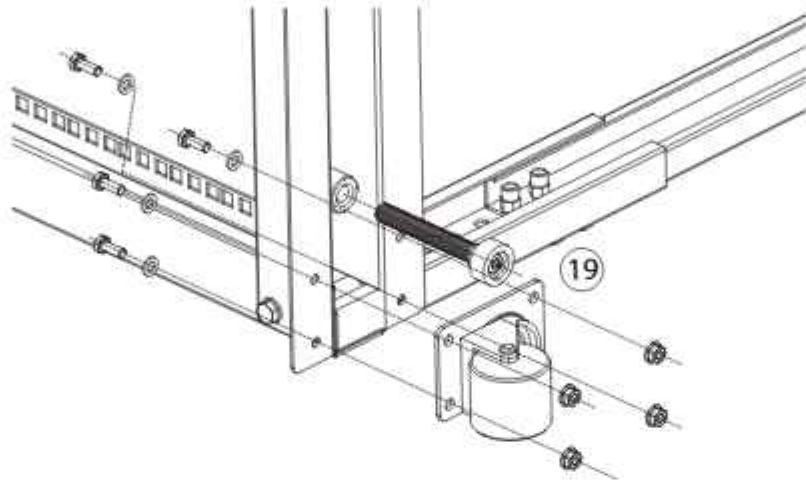


# Accessory Installation (*Optional*)

## Leveling Feet

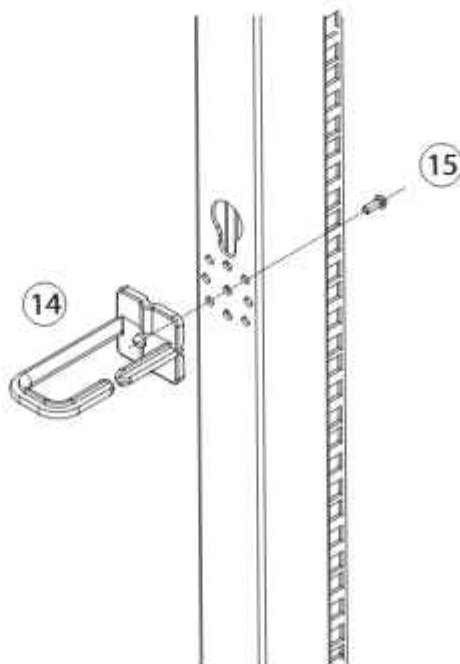
Bolt the included leveling feet (4pcs) to the bottom of the base bracket as shown below.

**NOTE:** *Optional caster kit shown is available. Please contact your sales representative for ordering information.*



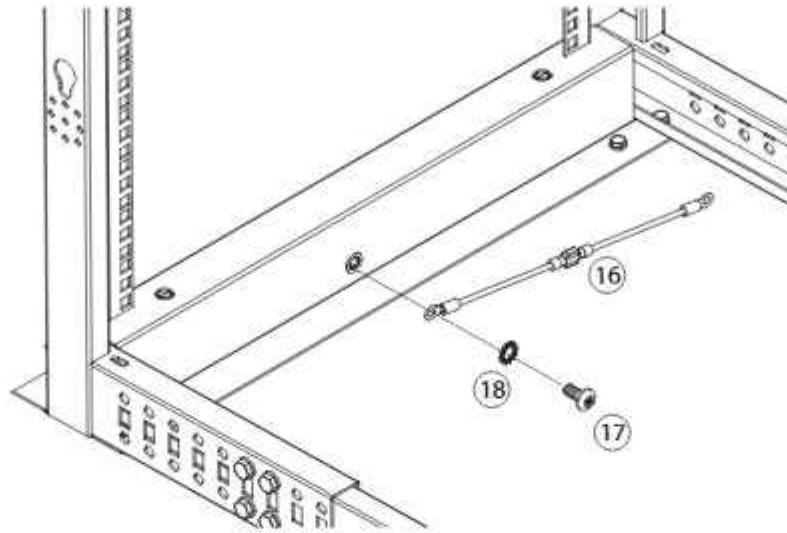
## Cable Management Rings

Screw the included cable management rings onto the assembled rack as shown below.



## Grounding Cable

To tie the assembled rack to the facility's ground, use the grounding wire with the included M6 screw and toothed lock washer. Screw the grounding wire to the pre-installed rivet nut on the inside of the base bracket as shown below.



**CyberPower**<sup>®</sup>

**CyberPower Systems, Inc.**

[www.cyberpower.com](http://www.cyberpower.com)

**For USA and Canada:**

4241 12th Ave East, Suite 400

Shakopee, MN 55379

Toll-free: (877) 297-6937

**For all other regions:**

Please visit our website for local contact information.